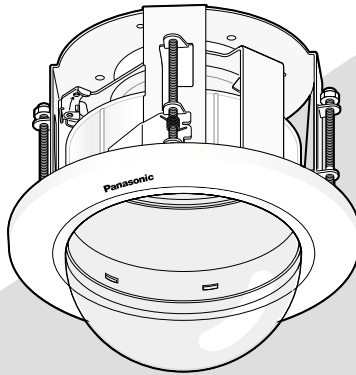


Panasonic

Ceiling Mount Bracket Operating Instructions

Model No. WV-Q155C
WV-Q155CE
WV-Q155S
WV-Q155SE



Before attempting to connect or operate this product,
please read these instructions carefully and save this manual for future use.

The model number is abbreviated in some descriptions in this manual.

CONTENTS

Preface	2
Precautions	2
Major Operating Controls and Their Functions	4
Installations	5
Specifications	back cover
Standard Accessories	back cover

Preface

This ceiling mount bracket is exclusively designed to mount the network camera on a ceiling. Refer to the catalog or the installation guide of the camera for supported cameras.

This bracket can be used for an area with weak pull-out strength such as plasterboard in a double ceiling.

This bracket is an embedded type to reduce the exposed portion of the camera body.

- WV-Q155C: Clear dome cover
- WV-Q155S: Smoked dome cover (approx. 50 % of transmittance)

Precautions

- **Refer installation work to the dealer.**

Installation work requires technique and experiences. Failure to observe this may cause fire, electric shock, injury, or damage to the product. Be sure to consult the dealer.

- **Avoid installing this bracket in the locations where salt damage occurs or corrosive gas is produced.**

Otherwise, the mounting portions will deteriorate and accidents such as a fall of the camera may occur.

- **Use only the specified camera.**

Failure to observe this may cause a fall of an inappropriate camera resulting in injury or accidents. Refer to the catalog or the installation guide of the camera for supported cameras.

- **The screws and fixation mechanisms shall be tightened securely.**

Failure to observe this may cause a fall of the camera resulting in injury.

- **The measures of protection against a fall of the camera shall be taken.**

Failure to observe this may cause injury. Be sure to install the safety wire.

- **Select an installation area that can support the total weight.**

If a selected area is too weak to support the total weight, a fall of the product may occur resulting in injury. Installation work shall be started after sufficient reinforcement.

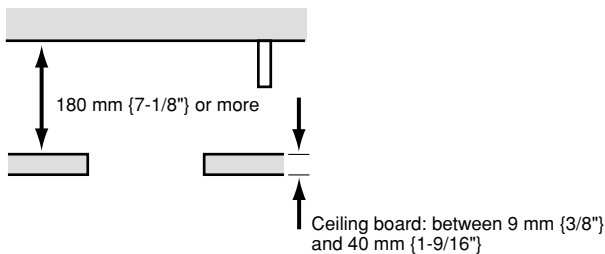
- **Periodic inspections shall be conducted.**

Rust on the metal parts or screws may cause a fall of the product resulting in injury. Consult the dealer for the inspections.

- **Do not rub the edges of metal parts with your hand.**

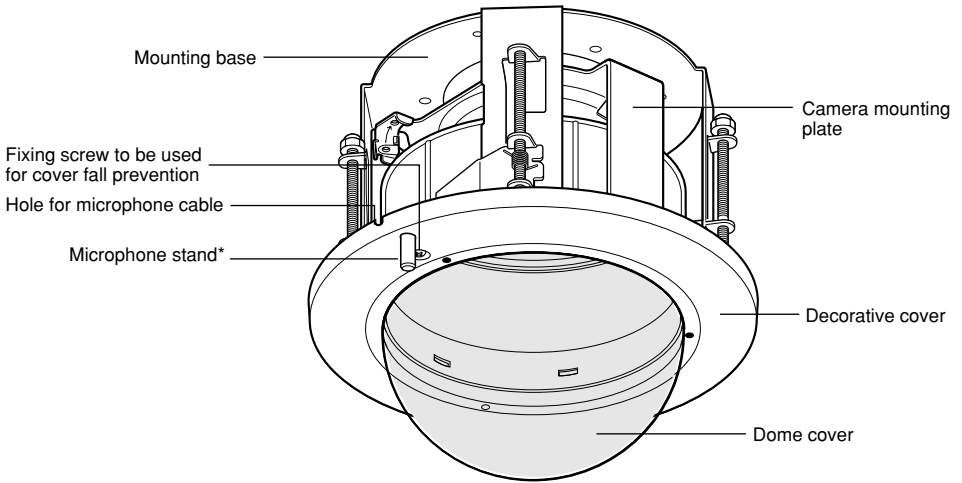
Failure to observe this may cause injury.

- Consult the dealer about the installation area to select a strong ceiling area. Make sure that the installation area is strong enough to hold the total weight of the camera assembly (approx. 1.7 kg {3.6 lbs.}) before installation.
- The installation area shall have 180 mm {7-1/8"} or more space behind the ceiling.



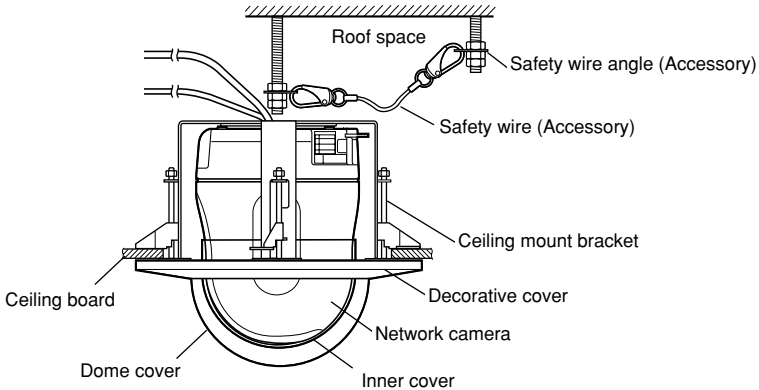
- The thickness of the ceiling board for installation can range between 9 mm {3/8"} and 40 mm {1-9/16"}.
- Avoid installing in the following locations.
 - Locations where it may get wet from rain or water splash (not only outdoor)
 - Locations where a chemical agent is used such as a swimming pool
 - Locations subject to steam and oil smoke such as a kitchen
 - Locations near flammable gas or vapor
 - Locations where radiation or x-ray emissions are produced
 - Locations subject to strong magnetic field or radio waves
 - Locations where it may be damaged by briny air such as seashores
 - Locations where the temperature is not within $-10\text{ }^{\circ}\text{C}$ - $+50\text{ }^{\circ}\text{C}$ { $14\text{ }^{\circ}\text{F}$ - $122\text{ }^{\circ}\text{F}$ }.
 - Locations subject to vibrations (This product is not designed for on-vehicle use.)
 - Locations where the temperature may rapidly change such as the peripheral areas of the air outlets of air conditioners or doors facing outside. (In case of installing the camera in such locations, the dome cover may become foggy or condensation may be caused on the cover.)
- The screws and bolts must be tightened with an appropriate tightening torque according to the material and strength of the installation area. After tightening the screws or bolts, perform visual check to ensure tightening is enough and there is no backlash.
- The pull-out strength of the installation area shall be 196 N {20 kgf} or more per 1 screw.
- The protection sheet attached to the dome cover shall be peeled off after installation.

Major Operating Controls and Their Functions



* If a microphone is used, mount the microphone on the rubber-made microphone stand. Unless the microphone is used, cut the rubber with a nipper or conduct another treatment.

<Installation sample>

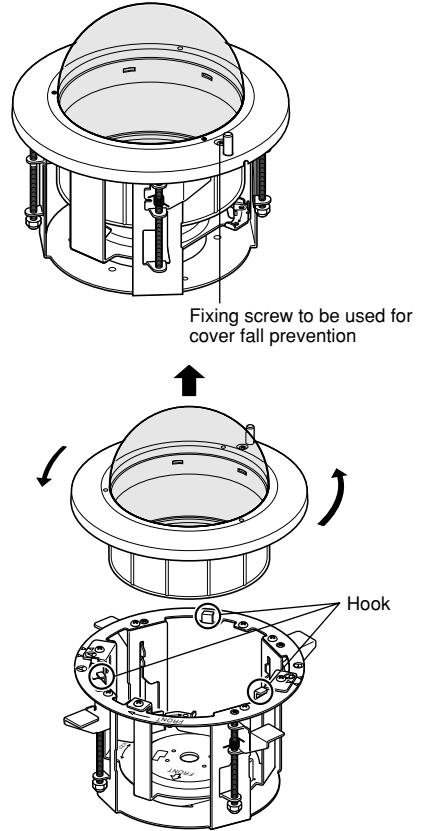


Installations

Be sure to read "Precautions" before installation. The Installation Guide of the network camera shall be read as well.

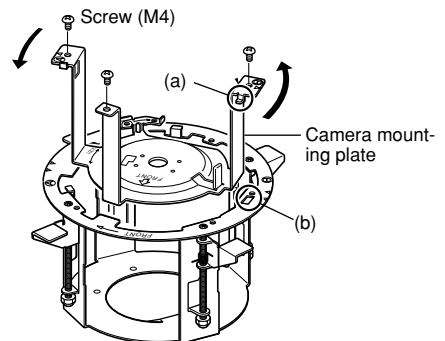
1. Remove the decorative cover.

- ① Loosen the fixing screw (unremovable) to be used for cover fall prevention.
- ② Unhook the decorative cover from the hooks (3 positions) of the camera mounting plate and remove the decorative cover by turning it counterclockwise.
- ③ Take the inner cover out.



2. Remove the camera mounting plate.

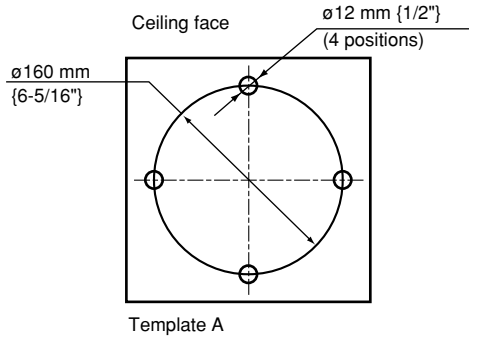
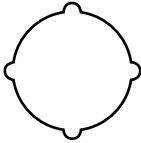
Remove the screws (M4, 3 positions) and remove the camera mounting plate by turning it counterclockwise. Disengage the portion (a) from the hole (b) (2 positions).



3. Put Template A (accessory) against the ceiling and make a hole.

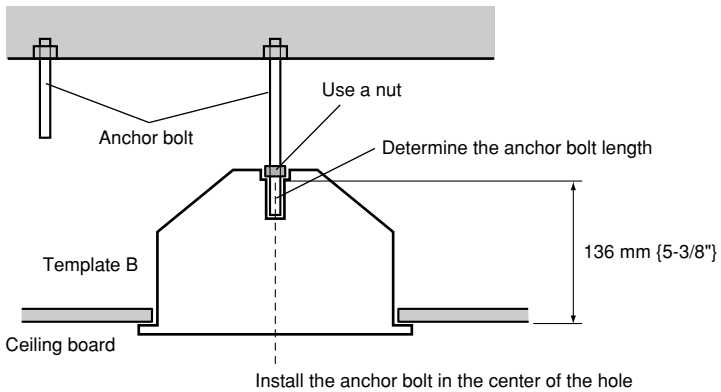
- ① Make 4 holes of 12 mm {1/2"} in diameter.
- ② Remove the center part from the template.
- ③ Make a hole of 160 mm {6-5/16"} in diameter.

* The hole shape is shown below.



4. Install two anchor bolts (M10 recommended) into the concrete ceiling.

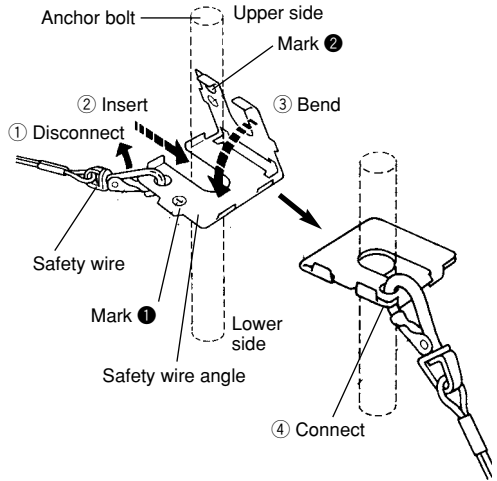
- ① Determine the anchor bolt length by use of Template B (accessory).
- ② Position the nut by use of Template B (accessory). (The distance between the bottom surfaces of the ceiling board and nut shall be 136 mm {5-3/8"}.)



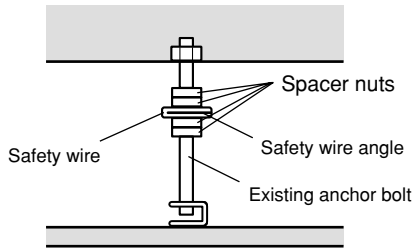
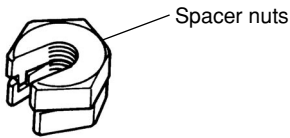
Note: If there is already an anchor bolt installed, the anchor bolt can be used as a second anchor bolt. Make sure that the distance between the 1st and 2nd anchor bolts is 1 000 mm {39-3/8"} or less before use.

5. Mount the safety wire angle (accessory) on the 2nd anchor bolt and connect the safety wire (accessory) to the angle.

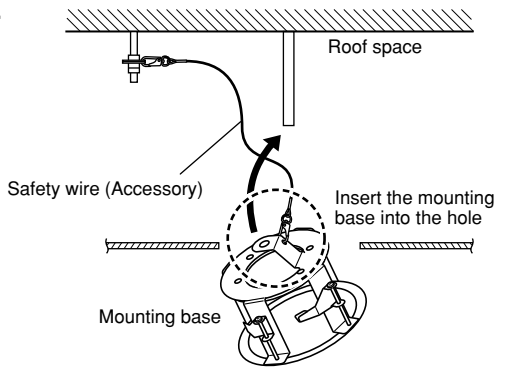
- ① Disconnect the safety wire from the safety wire angle.
- ② Engage the face marked ❶ with the anchor bolt.
- ③ Bend the face marked ❷.
- ④ Connect the safety wire to the safety wire angle again.



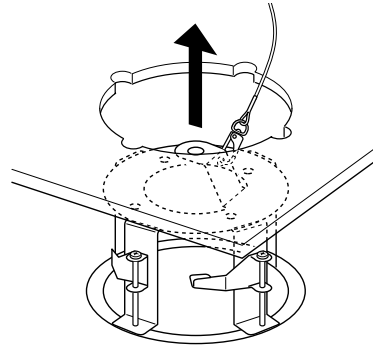
Note: To use the anchor bolt that was already installed, the use of 2 spacer nuts is helpful.



6. Connect the mounting base to another tip of the safety wire.



7. Insert the mounting base into the hole made in Step 3.



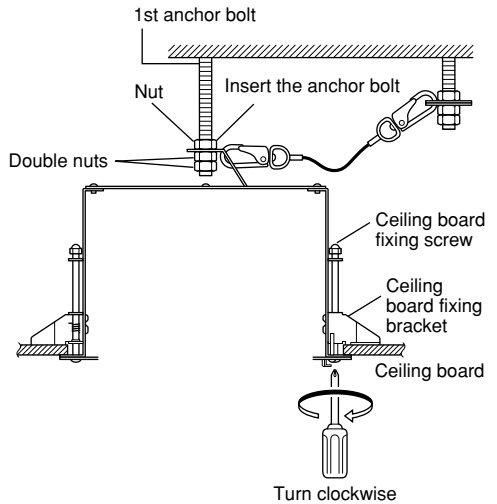
8. Secure the mounting base to the ceiling board with the ceiling board fixing screws (4 positions).

- ① Engage the top of the mounting base with the 1st anchor bolt.
- ② Secure the mounting base by turning the ceiling board fixing screws clockwise.

Turning the ceiling board fixing screws clockwise provides ceiling board tightening between the bottom of the mounting base and ceiling board fixing bracket resulting in mounting base securing.

(Recommended tightening torque: 0.78 N·m {8.0 kgf·cm})

- ③ Secure the top of the mounting base with double nuts.

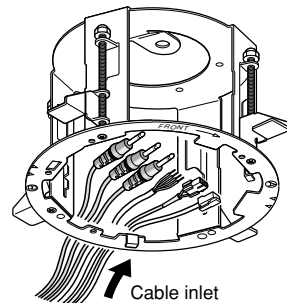


Important: When securing this bracket on the ceiling, make sure that the four ceiling board fixing brackets are open as shown in the figure.

9. Prepare the cables.

Run the cables from the cable inlet.

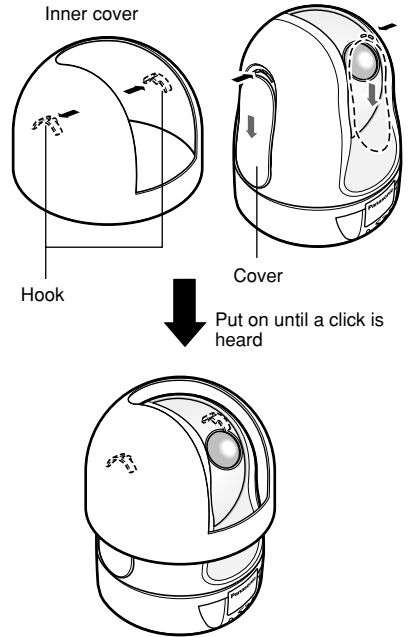
Important: The cables shall be run from the opposite side of the mark, FRONT. Failure to observe this makes the cables unconnectable.



10. Install the inner cover.

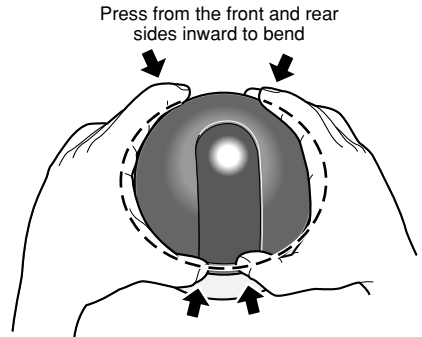
Slide the covers located on the both lateral sides of the camera and put the inner cover on the camera until the hooks inside the inner cover are held in the holes of the camera (until a click is heard).

Important: Put the inner cover down on the camera until the outside cover of the camera cannot be seen from the opening (from which the camera lens is visible) of the inner cover. If this integration is not successfully performed, the inner cover may be removed or the hidden part at the top of the screen may become larger in the WIDE mode.



How to remove the inner cover

Press the inner cover from the front and rear sides inward (at the same vertical position as the hooks) to bend the cover and remove the cover from the camera.



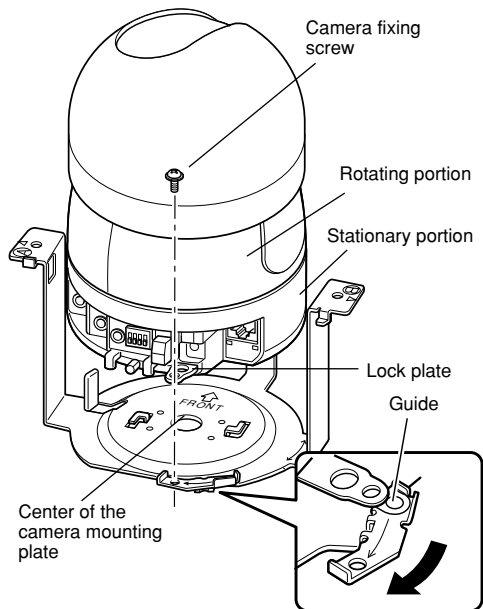
11. Mount the camera on the camera mounting plate.

① Put the camera onto the camera mounting plate with aligning the lock plate of the camera with the guide of the camera mounting plate and aligning the center of the camera mounting plate with the center of the screw for tripod mounting, and turn the camera clockwise.

② Secure the camera with 1 piece of the camera fixing screw (supplied with the camera).

(Recommended tightening torque: 0.68 N·m {7.0 kgf·cm})

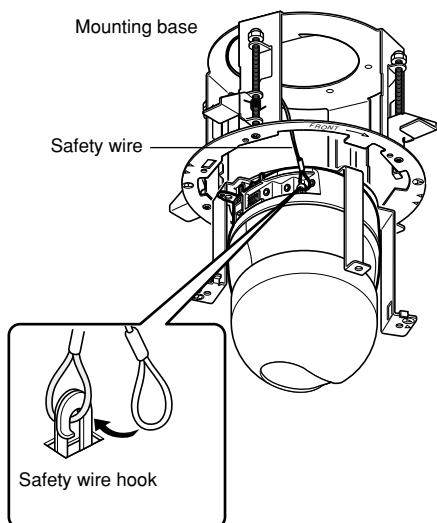
Important: Be sure to mount the camera with holding the stationary portion of the camera. Camera mounting with holding the rotating portion of the camera may cause trouble.



12. Connect the safety wire to the camera.

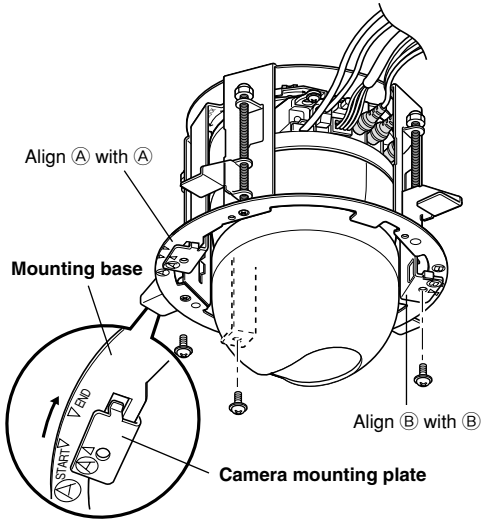
① Connect the safety wire locked on the mounting base to the camera. Make sure that the apical ring of the safety wire is engaged with the safety wire hook of the camera by pulling the safety wire after connection.

13. Connect the cables to the camera.



14. Mount the camera mounting plate on the mounting base.

- ① Align the marks (A to A and B to B) between the camera mounting plate and mounting base.
- ② Mount the camera mounting plate on the mounting base with aligning Δ of the camera mounting plate with "START ∇ " of the mounting base.
- ③ Turn the camera mounting plate until Δ of the camera mounting base aligns with "END ∇ " of the mounting base.
- ④ Tighten the 3 screws that were removed in Step 2.
(Recommended tightening torque: 1.6 N·m {16 kgf·cm})



Important: Do not let the cables be caught during installation work.

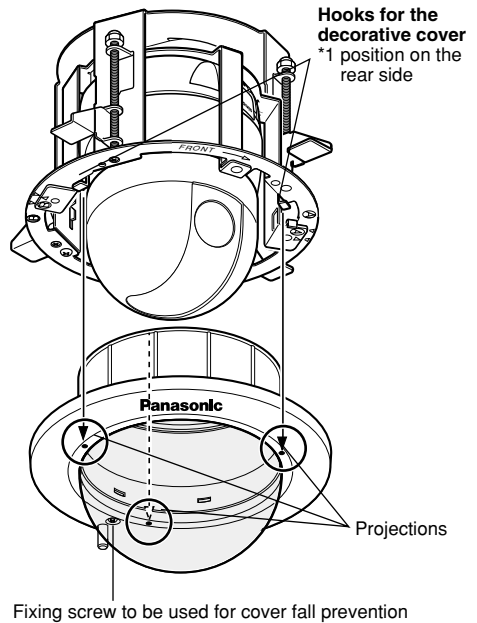
15. Mount the decorative cover.

- ① Mount the decorative cover on the camera mounting plate with engaging the projections of the decorative cover with the hooks for the decorative cover.
- ② Turn the decorative cover clockwise while pressing the projections upward and the cover is locked.

Important: The mark, "FRONT", shall be aligned with the Panasonic logo.

16. Tighten the fixing screw to be used for cover fall prevention.

(Recommended tightening torque: 1.6 N·m {16 kgf·cm})



Note: When the camera lens is pointed in the horizontal direction, the inner cover interferes with the camera's view, and consequently about upper half of the monitor screen is hidden in the WIDE mode.

Specifications

Ambient temperature:	-10 °C to + 50 °C {14 °F to 122 °F}
Dimensions:	185 mm {7-5/16 inches} in diameter x 145 mm {6-7/16 inches} in height
Mass:	Approx. 800 g {1.77 lbs}
Finish:	Main body: Treatment steel Decorative cover: ABS resin with silver metallic coating Dome cover: Acrylic resin

Standard Accessories

Operating Instructions (this book) 1 pc.

The following are for installation

Safety wire	1 pc.
Safety wire angle	1 pc.
Template A	1 sheet
Template B	1 sheet
Inner cover	1 pc.

For U.S. and Canada:

Panasonic i-PRO Sensing Solutions Corporation of America

800 Gessner Rd, Suite 700 Houston, TX 77024
<https://www.security.us.panasonic.com/>

Panasonic Canada Inc.

5770 Ambler Drive, Mississauga, Ontario, L4W 2T3
Canada
1-877-495-0580
<https://www.panasonic.com/ca/>

For Europe and other countries:

Panasonic Corporation

<http://www.panasonic.com>

Panasonic i-PRO Sensing Solutions Co., Ltd.
Fukuoka, Japan

Authorised Representative in EU:

Panasonic Testing Centre
Panasonic Marketing Europe GmbH
Winsbergring 15, 22525 Hamburg, Germany