



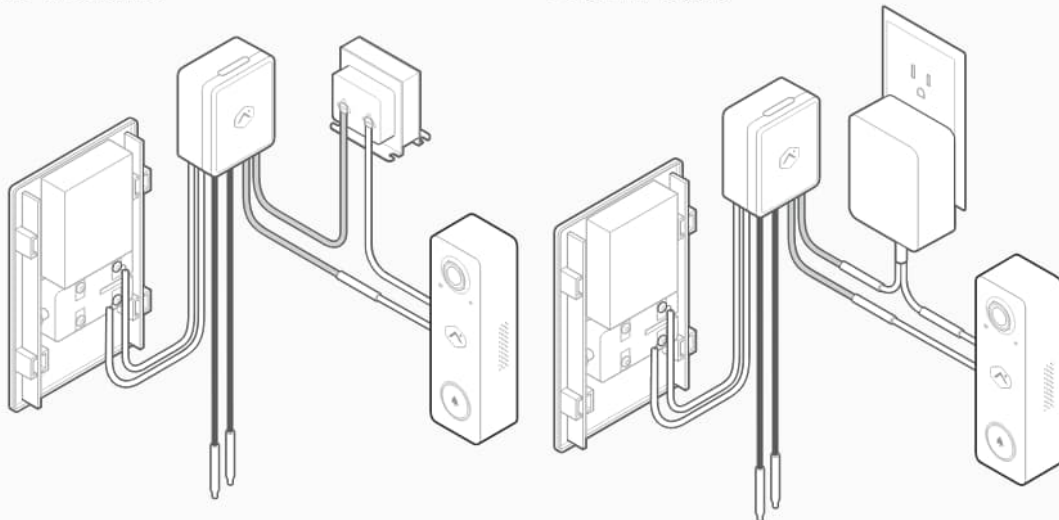
Specifications ADCADC-VDBA-PM-INT

The ADCADC-VDBA-PM-INT is the power module to use with a mechanical chime for the Alarm.com WiFi Doorbell Video Analytics ADCADC-VDB750.

See below for wiring diagrams when installing the ADC-VDB750 to a mechanical chime with an AC transformer and DC power supply, respectively:

AC transformer

DC power supply



If there is no wired in-home chime, verify that the power source (AC or DC) meets the product requirements, and wire directly (polarity does not matter) to the ADC-VDB750 (no in-line resistor is required).



ALARM.COM[®]