



### 1. Application Range

This specification applies to Manganese dioxide lithium batteries manufactured by Matsushita Battery Industrial Co., Ltd (MBI).

### 2. Nominal Specification

2-1 Model Number	CR-123PE/BE (Bare cell: CR123A)
2-2 Nominal Voltage	3V
2-3 Nominal Capacity	1,400mAh (Nominal capacity is based on the standard discharge current and cut-off voltage 1.8V at 20°C.)
2-4 Standard Discharge Current	20mA
2-5 Maximum Continuous Discharge Current	1000mA at 20°C
2-6 Dimensions	See attached drawing
2-7 Mass	Approximately 17g
2-8 Appearance	No noticeable deformation
2-9 Temperature	Operation -20 to +60°C Storage -20 to +45°C (Note: Contact Panasonic in case continuous high-temperature over +60°C usage conditions.)
2-10 Recommendable Storage Condition	Temperature: 5°C to 35°C Humidity: Less than 70%RH
2-11 Battery Composition	Lithium primary battery composed of cathode from Manganese dioxide, anode from lithium, and electrolyte from organic solvent and lithium salt.

### 3. Characteristics

3-1 Open Circuit Voltage	
3-1-1 Initial	Between 3.0 and 3.5V (The measuring method described in item 5-4-1.)
3-1-2 After 1 year (at 25±5°C)	Between 3.0 and 3.5V (The measuring method described in item 5-4-1.)
3-2 Impedance	
3-2-1 Initial	Between 0.1 and 1.0Ω (The measuring method described in item 5-4-2.)
3-1-2 After 1 year (at 25±5°C)	Between 0.1 and 1.0Ω (The measuring method described in item 5-4-2.)
3-3 Duration(Pulse cycles)	
3-3-1 Initial	1500cycles MIN. (20±3°C) 700cycles MIN. (-20±3°C) (The measuring method described in item 5-4-3.)
3-3-2 After 1 year (at 25±5°C)	1500cycles MIN. (20±3°C) 700cycles MIN. (-20±3°C) (The measuring method described in item 5-4-3.)
3-4 Vibration Resistance	Deterioration of performance (3-1) shall not occur after the test described in item 5-4-4.
3-5 High Temperature Storage	The battery shall not show leakage or salting after the high temperature storage described in item 5-4-5.

#### 4. Test Condition

4-1 Test Condition	Unless otherwise specified the test shall be carried out at, Temperature : $25 \pm 5^{\circ}\text{C}$ Humidity : $65 \pm 10\% \text{RH}$
4-2 Test Timing	The test shall be started within a month from delivered day.
4-3 Measurement Instrument	
4-3-1 Voltage Meter	Input impedance : $\geq 10 \text{M}\Omega$
4-3-2 Battery Impedance Meter	Accuracy : $\leq 0.5\%$ Sine-wave AC method (1kHz, 0.1mA) (As a general, Agilent Technologies LCR Meter [4263B] is recommended.)
4-3-3 Caliper	Accuracy : $\leq 1\%$ by JIS
4-3-4 Balance	Sensitivity : $\leq 100 \text{mg}$

#### 5. Measuring Method

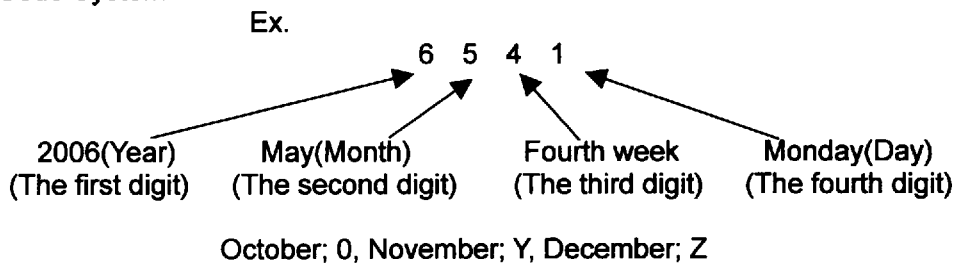
5-1 Dimensions	This shall be measured with the caliper described in item 4-3-3.
5-2 Mass	This shall be measured with the balance described in item 4-3-4.
5-3 Appearance	Deformation or tarnish shall be visually checked.
5-4 Characteristics	
5-4-1 Open Circuit Voltage	This shall be measured with the voltage meter described in item 4-3-1.
5-4-2 Impedance	This shall be measured with the impedance meter described in item 4-3-2.
5-4-3 Duration (Pulse cycles)	This shall be measured by pulse discharge method. The condition is Test temperature : $20 \pm 3^{\circ}\text{C}$ $-20 \pm 3^{\circ}\text{C}$ Pulse pattern : 0.9A 3secON $\leftrightarrow$ 27secOFF End voltage : 1.55V ( $20 \pm 3^{\circ}\text{C}$ ) 1.20V ( $-20 \pm 3^{\circ}\text{C}$ )
5-4-4 Vibration Test	This test shall be carried out by the following condition according to UN Manual of Test and Criteria, Part III, sub-section 38.3.4.5, Amplitude: 0.8mm Frequency: 7 $\leftrightarrow$ 200Hz Directions: X, Y, Z Duration: 15 minutes, 12 times (each direction)
5-4-5 High Temperature Storage	The battery shall be stored at $60^{\circ}\text{C}$ for 28 days. After the storage, the battery shall be kept in dry place at $25 \pm 5^{\circ}\text{C}$ during 4hours, then leakage and appearance shall be checked by naked eyes.

## 6. Indication

6.1 Below items are indicated on the battery or its package.  
(Design of indication can be changed without notice.)

Model code	CR123A
Nominal voltage	3V
Manufacture or its brand	Panasonic
Production	Japan or U.S.A.

## 6.2 Date Code System



## 6.3 UL Standard

This battery is certificated by UL and listed on the file number MH12210.

## 6.4 Production Site

Matsushita Battery Industrial Co. (MBI)  
1-1 Matsushita-cho, Moriguchi-city, Osaka, 570-8511, Japan

PANASONIC BATTERY CORPORATION OF AMERICA LITHIUM BATTERY DIV.(PBA-LD)  
One Panasonic DR Columbus 31907/GA U.S.A.

## 7. Operations and Modification of This Specification

Modification must be carried out under mutual agreement.

Any Accidents caused by non-described items in this specification must be discussed and solved mutually.

## 8. Important Notes (Warranty)

1) The batteries are warranted to conform to the description contained in this Specification for a period of twelve [12] months from the ex-factory date and any claim by you (customer) must be made within such period.

During that warranty period, if the Batteries are proved to become defective, non-defective and conforming Batteries will be supplied in due course at sole expense of Matsushita Battery Industrial Co., Ltd. (MBI or PBA-LD) upon MBI(PBA-LD)'s own determination that this is apparently caused by negligence of MBI(PBA-LD).

Any further claims based on the delivery of defective Batteries shall be excluded. Such exclusion shall not affect the liability of MBI(PBA-LD) based on product liability for grossly negligence or intentional behavior of MBI(PBA-LD).

2) Confirmation of the matching and reliability of Batteries into your actual sets or units is your own responsibility.

3) MBI(PBA-LD) shall not warrant or be responsible in any case where you fails to carry out proper handling, operating, installation, testing, service and checkout of the batteries and/or to follow the instructions, cautions, warnings, notes provided in this Specifications, or other MBI(PBA-LD)'s reasonable instructions or advice.

#### 9. Others

1) CR123A is developed for Camera use only , and requested to replace within two years if its used for another usage ,out of Camera use.

2) This product specification will be validated assuming that it is accepted when it is not returned within six months from the date of issue.

3) The weight of lithium metal content in this battery is within the limit of dangerous goods in regulations of transportation such as IATA, IMO, or DOT.  
This battery is certificated UN Recommendation on the Transport of Dangerous Goods.

4) This battery does not contain any toxic materials, such as mercury, cadmium or lead.

#### 10. Precautions for use

1) The battery shall not be stored at temperatures in excess of 45°C.

Storage at less than 35°C is recommended. Storage at less than -20°C can deform the plastic parts and may cause a leakage. To prevent self-discharge caused by corrosion or decrease of insulation, humidity during storage shall be less than 70%RH.

2) The battery has an explosion resistant construction. But the following cautions should be taken, because combustible materials such as lithium metal and organic electrolyte are contained in the battery.

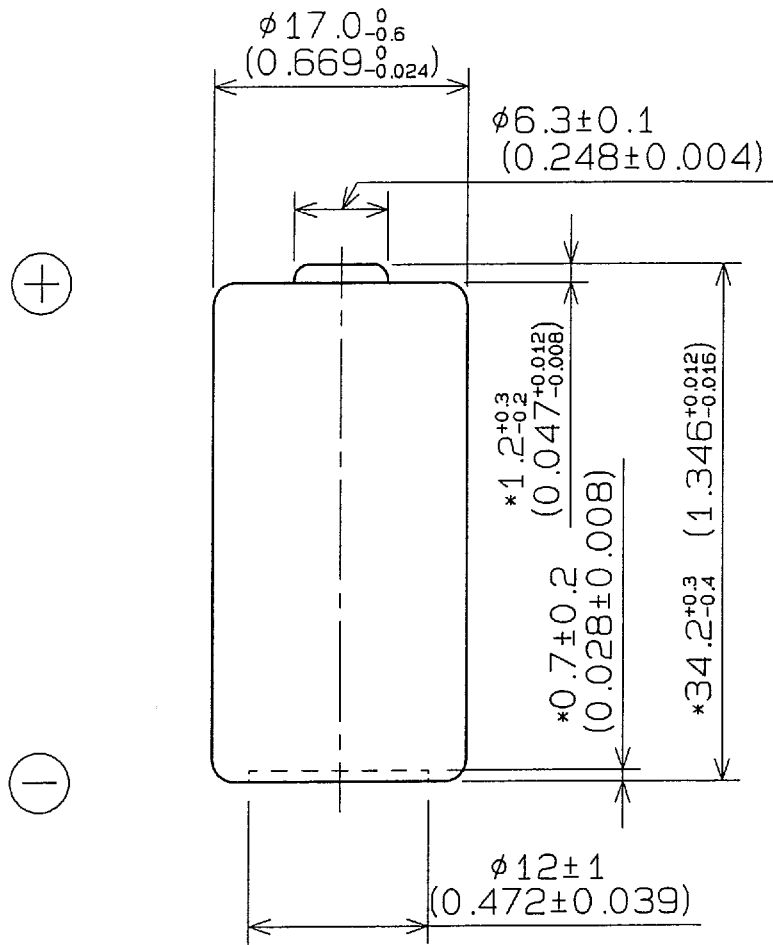
- \* Do not use except in applicable model or equipment.
- \* Do not connect more than two cells in series.
- \* Do not mix new (fresh) and old (end of life) batteries.
- \* Do not force-discharge.
- \* Do not mix different types (chemistries) of batteries.
- \* Do not short circuit.
- \* Do not dispose in fire.
- \* Do not charge.
- \* Do not disassemble.
- \* Do not heat up more than 100°C.
- \* Do not solder directly onto batteries.
- \* Do not soak in water.
- \* Do not deform.
- \* Do not inadequacy modify and remodel for installation.
- \* Insert the batteries in correct polarity position.

3) Keep away from heat source or flame.

4) The battery shall not be washed by ultrasonic wave washer.

5) Keep away from children and infants to prevent the possibility of swallowing by mistake.

Symbol	Date	Revision	Signed	Checked



Voltage : 3V

Terminals : Flat Contact

Remarks

- \* The height of overlapped portion is not specified
- \* PTC device is installed inside

unit : mm (inch)

Symbol	Material & Size	Process	Remark
LITHIUM BATTERY CR123A		Model No.	CR123A
		Name	Product Drawing
Scale 2: 1	Designed S.N. Checked Checked Approved	No.	050513



## Panasonic Industrial CR123 Label for Europe

13-709-21

Drawing No

232-CR123-032

# Packaging Specification

Product

CR123

## 1-Product

CR-123A

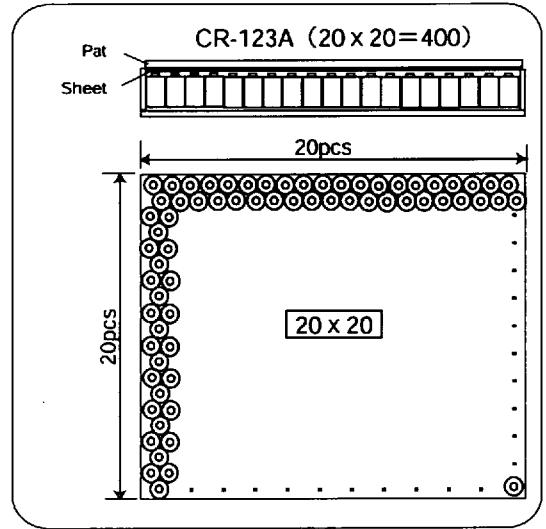
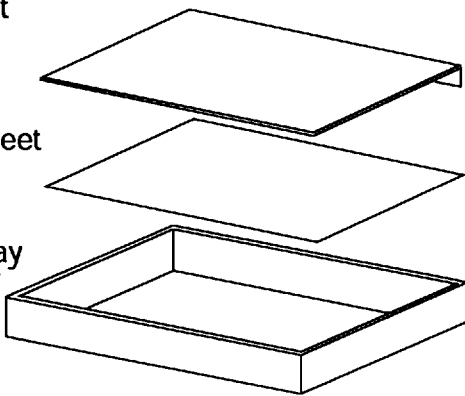


## 2-Tray for 400pcs

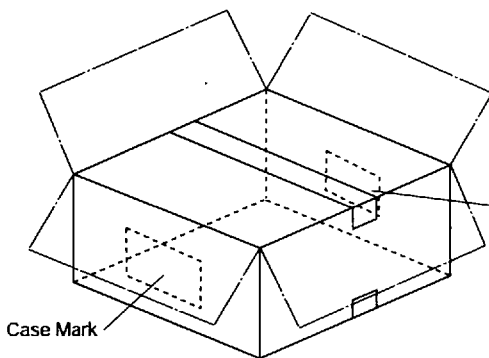
Pat

Sheet

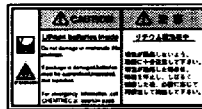
Tray



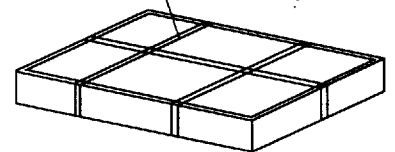
## 3-Outer Carton for 1200pcs



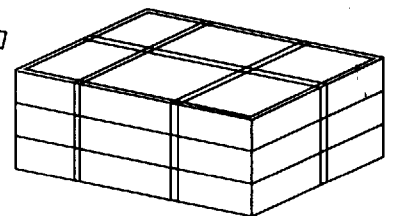
VTCP Mark



PP-Band



x3



## Packing List

Dimension	: 410 x 340 x 150 mm
M3	: 0.02091m <sup>3</sup>
Net	: 16.0kg
Gross	: 18.5kg