

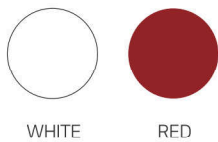
2 WIRE NON-POLARITY VIDEOPHONE MONITOR

# KCV-352·D352

- 3.5" Color digital LCD monitor
- Easy to operate using OSD menu and icon button
- Communication between Door camera and Multi entry video panel
- Connection up to 1 Door camera and 2 Monitors



## COLOR



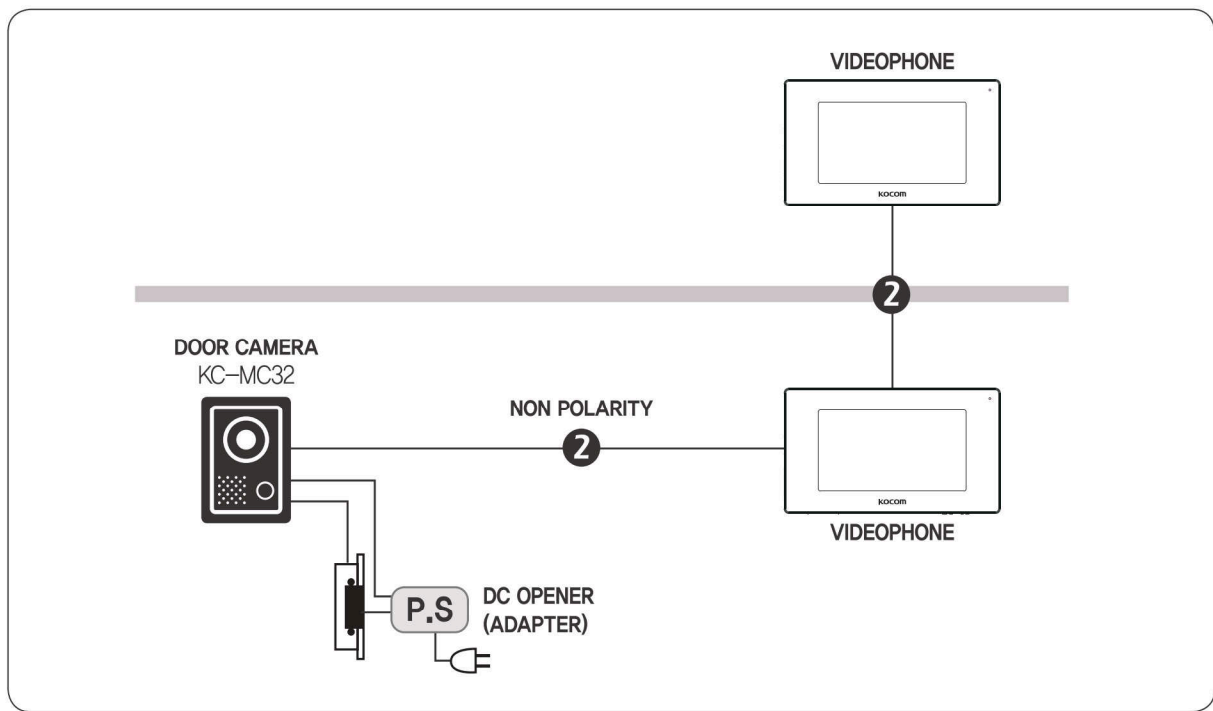
WHITE

RED

## SPECIFICATIONS

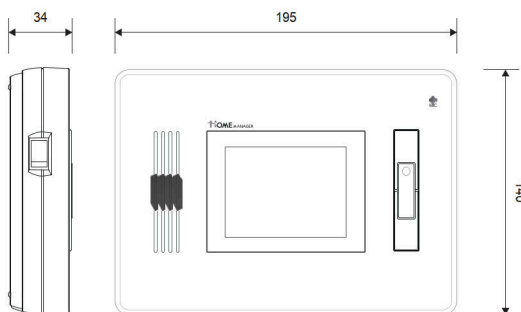
Model No.	KCV-352	KCV-D352
Power Source	AC 127V 60HZ	DC 12V±3V
Power Consumption	0.7W(Stand by), 10.5W(In load)	0.7W(Stand by), 10.5W(In load)
LCD	3.5" Digital LCD (NTSC / PAL Auto switching)	
Communication System	Hands-free Type	
Operating Temperature	0°C ~ +40°C	
Mount Type	Surface mount	
Dimesion	195(W) x 140(H) x 34(D) mm	

## WIRING DIAGRAM



## PRODUCT DIMENSION

(Unit: mm)



## CONNECTABLE PRODUCT



DOOR CAMERA  
KC-MC32



DOOR CAMERA  
KC-MC22



DOOR CAMERA  
KC-MC11



DOOR CAMERA  
KC-C62



MULTI PANEL  
KVL-C20X

DOOR CAMERA  
**KC-MC32**

2  
WIRE

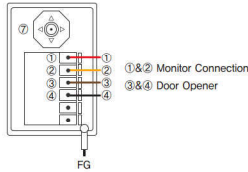
SUNVISOR



**SPECIFICATIONS**

Power	DC 12V±1V(power from monitor)
Power Consumption	Max. 3W
Wiring	2 Wire
Body Material	Metal
Mount Type	Surface mount
Camera Angle	100 ° (Angle Adjustable)
Min. Illumination	0.1 lux(LED ON)
Dimension	110(W) x 158(H) x 39(D)mm

**WIRING**



DOOR CAMERA  
**KC-MC22**

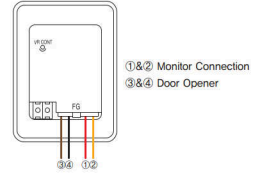
2  
WIRE



**SPECIFICATIONS**

Power	DC 12V±1V(power from monitor)
Power Consumption	Max. 2.5W
Wiring	2 Wire
Body Material	Metal
Mount Type	Surface mount
Camera Angle	90 ° (Fixed)
Min. Illumination	0.1 lux on the object(LED ON)
Dimension	95(W) x 127(H) x 32(D)mm

**WIRING**



DOOR CAMERA  
**KC-MC11**

2  
WIRE

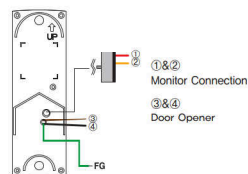
SUNVISOR



**SPECIFICATIONS**

Power	DC 12V±1V(power from monitor)
Power Consumption	Max. 2.5W
Wiring	2 Wire
Body Material	Metal
Mount Type	Surface mount
Camera Angle	90 ° (Fixed)
Min. Illumination	0.1 lux on the object(LED ON)
Dimension	40(W) x 120(H) x 22(D)mm

**WIRING**



DOOR CAMERA  
**KC-C62**

2  
WIRE



**SPECIFICATIONS**

Power	DC 12V±1V(power from monitor)
Power Consumption	Max. 2.5W
Wiring	2 Wire
Body Material	Plastic
Mount Type	Surface mount
Camera Angle	100 ° (Fixed)
Min. Illumination	0.1 lux(LED ON)
Dimension	95(W) x 127(H) x 34(D)mm

**WIRING**

