

4 WIRE APARTMENT SYSTEM MONITOR

KCV-W354·DW354

- 3.5" Color digital LCD monitor
- Easy to operate using OSD menu and icon button
- 5 Melody Selection
- Communication between Door camera, Guard phone and Lobby phone
- Connection up to 2 Door Cameras and 2 Monitors with Sub-Audio Unit (KDP-602G)
- Internal Communication between indoor units

4
WIRE

3.5
INCH



COLOR



WHITE

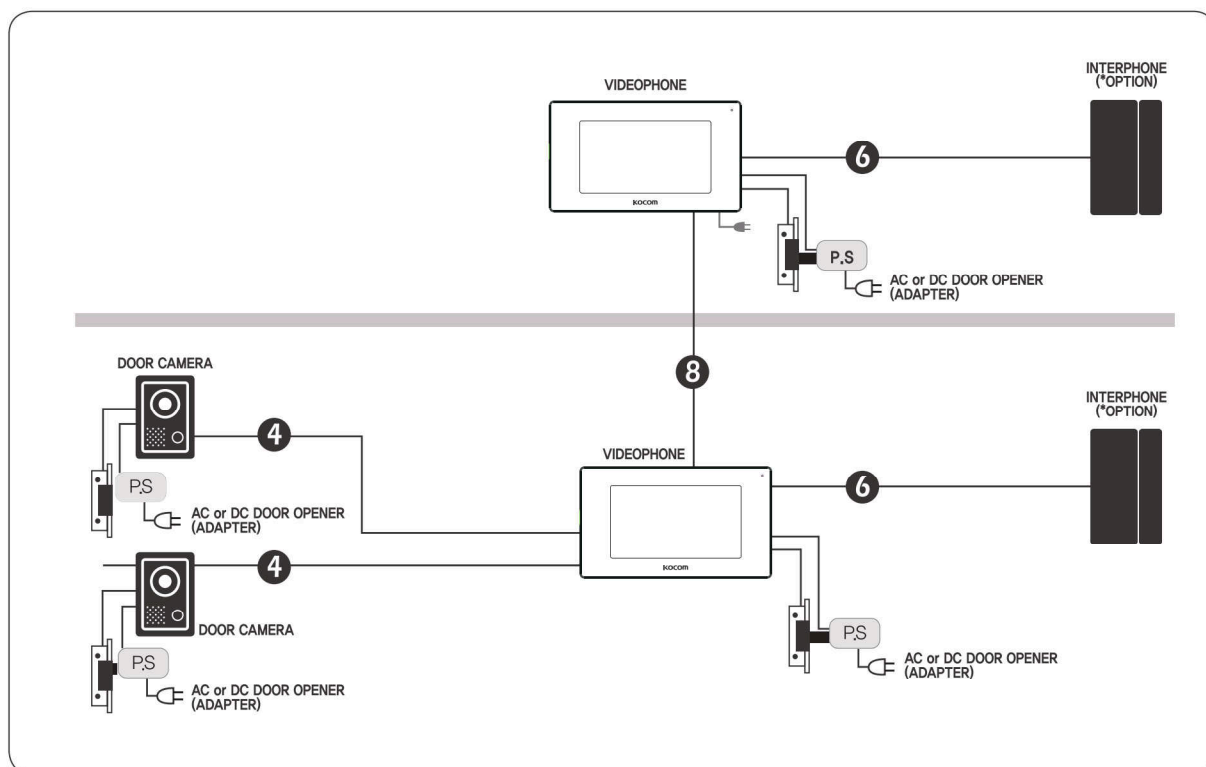


RED

SPECIFICATIONS

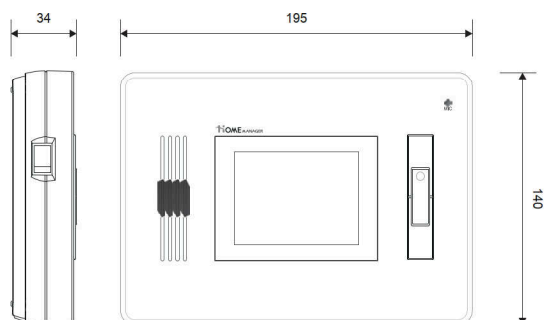
Model No.	KCV-W354	KCV-DW354
Power Source	SMPS AC 127V 60HZ	DC 15V (1.2A)
Power Consumption	0.7W(±20%)(Stand by), 13W(±20%)(In load)	1W(±20%)(Stand by), 13W(±20%)(In load)
LCD	3.5" Digital LCD (NTSC / PAL Auto switching)	
Communication System	Hands-free Type	
Operating Temperature	0°C ~ +40°C	
Mount Type	Surface mount	
Dimesion	195(W) x 140(H) x 34(D) mm	

WIRING DIAGRAM



PRODUCT DIMENSION

(Unit: mm)



CONNECTABLE PRODUCT



DOOR CAMERA
KC-Q81P

4
WIRE

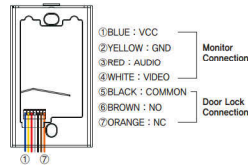
SUNVISOR



SPECIFICATIONS

Power	DC 12V±1V(power from monitor)
Power Consumption	Max. 3W
Wiring	4 Wire
Body Material	Plastic
Mount Type	Surface mount
Camera Angle	100 ° (Angle Adjustable)
Min. Illumination	0.1 lux(LED ON)
Dimension	75(W) x 136.5(H) x 18.5(D)mm

WIRING



DOOR CAMERA
KC-MC24

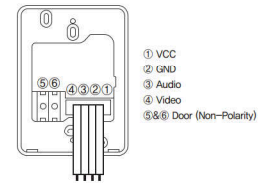
4
WIRE



SPECIFICATIONS

Power	DC 12V±1V(power from monitor)
Power Consumption	Max. 2.5W
Wiring	4 Wire
Body Material	Metal
Mount Type	Surface mount
Camera Angle	90 ° (Fixed)
Min. Illumination	0.1 lux on the object(LED ON)
Dimension	95(W) x 127(H) x 32(D)mm

WIRING



DOOR CAMERA
KC-MC20

4
WIRE

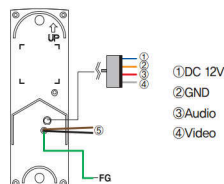
SUNVISOR



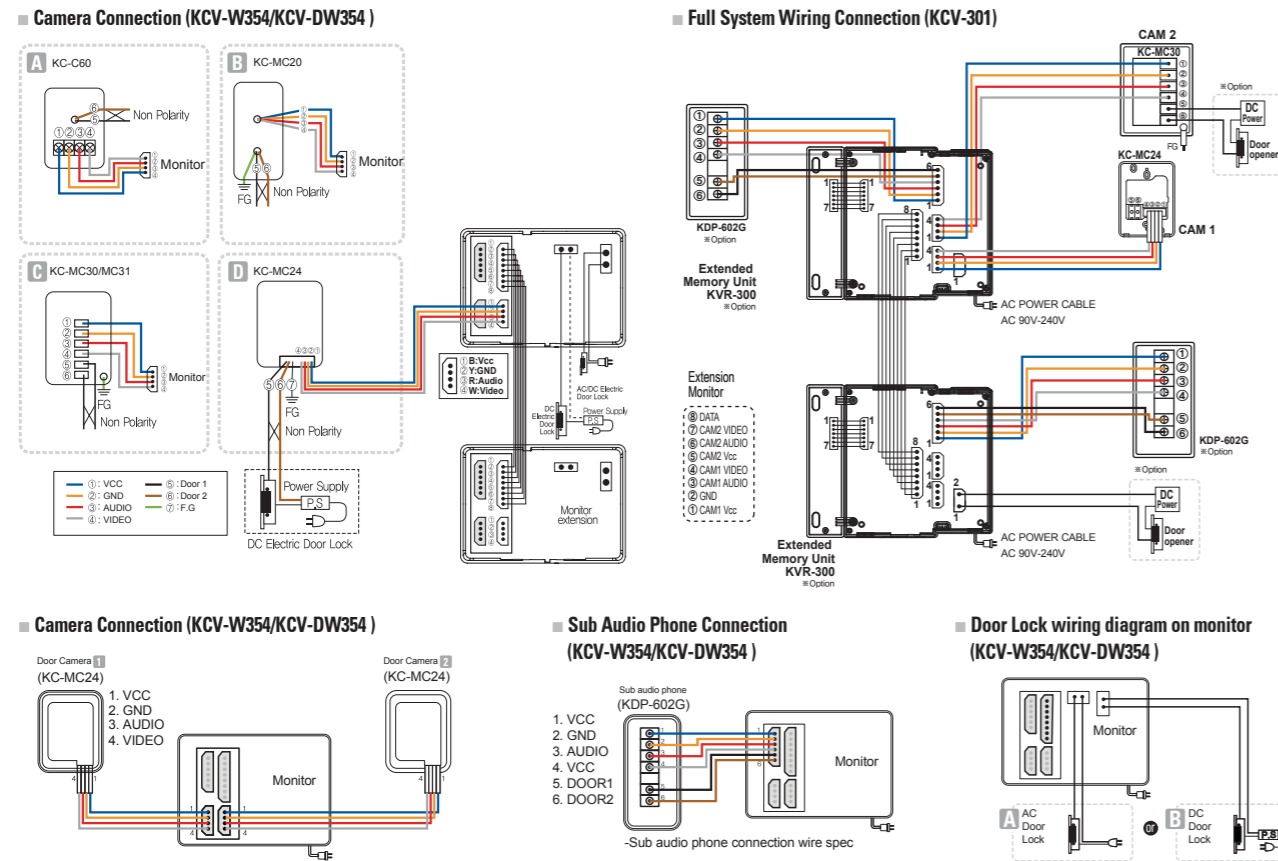
SPECIFICATIONS

Power	DC 12V±1V(power from monitor)
Power Consumption	Consumption : Max. 2.5W
Wiring	4 Wire
Body Material	Metal
Mount Type	Surface mount
Camera Angle	90 ° (Fixed)
Min. Illumination	0.1 lux on the object(LED ON)
Dimension	40(W) x 120(H) x 22(D)mm

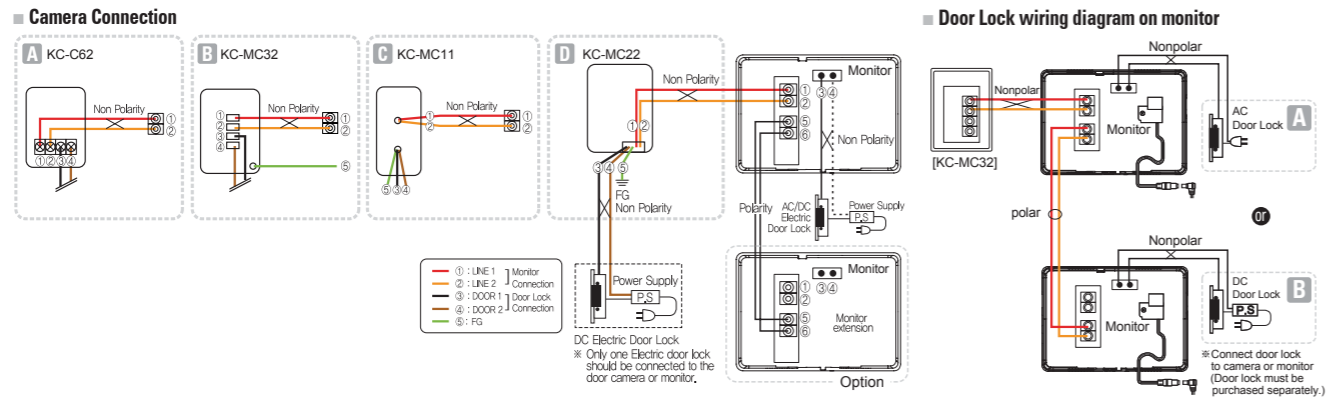
WIRING



+ 4 Wire system wiring Diagram KCV-301/KCV-W354/KCV-DW354



+ 2 Wire system wiring Diagram KCV-352/D352



Specifications

Wire Type	2Wire	4Wire
Model	KCV-352	KCV-301
Power	AC 90-240V(50Hz/60Hz)	AC 90-240V(50Hz/60Hz) DC12V 10%
Power consumption	0.7W±20%, In Communication : 10.5W±10%	Max. 15W, Stand by 2W
Monitor	3.5" Digital LCD (NTSC / PAL Auto switching)	
Mount Type	Surface Mount	
Wiring	Camera : 2 wires (Non polarity) Extension monitor : 2 wires (polarity)	Camera : 4 wire (Polarity) / Sub audio phone : 6 wire (Polarity) Extension monitor : 8 wire (Polarity)
Communcation system	Handsfree type	Duplex Handset conversation Handsfree type
Max. Wiring distance	UTP (CAT5) : 100m TIV 0.8mm : 120m, TIV 1.0mm : 150m	
Ambient temperature	0°C ~ 50°C	
Dimension (mm)	195(W)×140(H)×34(D)	210(W)×222(H)×57(D)

2 Wire KCV-352/D352
4 Wire KCV-W354/DW354



- 3.5inch Digital LCD (NTSC / PAL)
- Compact & stylish Design
- Easy & Simple installation
- 2 Wire non-polarity : KCV-352 / D352
- 4 Wire polarity : KCV-W354 / DW354
- LCD OSD Menu
- Room to Door Communication and Monitoring
- 5 Melody Selection (KCV-W354 / DW354)
- Ultra Low Power Consumption
- Communication between Main Monitor and Sub Units (KCV-W354 / DW354)
- Door Opener Connectable from Either Monitor or Camera (KCV-W354 / DW354 / KCV-301) with Sub-Audio (KDP-602G) *option.

Easy Installation **Color** Videophone

KCV-301 4Wire

- 3.5" Digital color LCD(NTSC/PAL)
- Communication with door and door monitoring
- Door open during communication
- Easy & simple installation with only 4 wires
- Intercom function between extended indoor units
- Surface mount type installation
- External 64 cut memory equipment (KVR-300) connection -(B/W)*option
- Connection with up to 2 door cameras, 2 monitors and 2 sub audio phone (KDP-602G)*option
- 5 melody selection



Kocom's Stylish and High Quality Videophone Upgrades Your Home

Perfect Item for Your Security & Home Decoration, Easy to Install Everywhere like Single house, Multi Apartment, Condominium & Villa.



General Screen



KOCOM Screen



2 wire & 4 wire Easy Installation

Anyone can install only with 2 wires non-polarity easily.



Long Distance Connection

Adapting high technology & Knowhow, it can be used at the distance of 100m using UTP or CAT5 cable. (TIV 1.0mm : Over 150m)

Coaxial cable is no longer necessary. (Saving cable cost)



OSD & Touch-Key Application

Convenient and easy to operate using OSD & Touch-key.



Simple & Slim Design

Simple and Slim design makes your interior elegant.



Installation is possible in any place.

House / Apartment / Office in any place where you need security.

OSD in Operating Condition (KCV-D352 / KCV-W354 / DW354)

Thanks to applied OSD function, the operating condition like **CAM1 Call, CAM2 Call, CAM1 Talk, CAM2 Talk, CAM1 View, CAM2 View, SUB Call, SUB Talk, Door open, LCD Color brightness** are visible on screen.

	CAM 1, CAM 2, SUB Call	Calling status
	CAM 1, CAM 2 View	Monitoring status
	CAM 1, CAM 2, SUB Talk	Talking status
	Open	Door open in calling status
	Open	Door open in monitoring status
	Open	Door open in talking status
	Bright : 7	Brightness control

Door Camera Connection



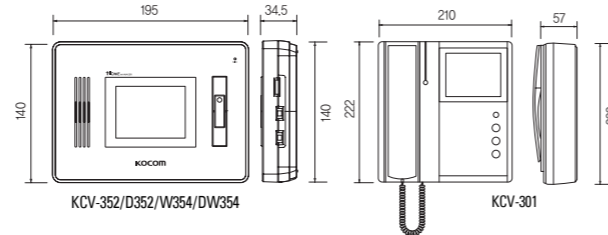
2 wire	KC-C62	KC-MC32	KC-MC22	KC-MC11	-
4 wire	KC-C60	KC-MC30	KC-MC24	KC-MC20	KC-MC31

Option



KDP-602G (KCV-W354 / DW354 / KCV-301)
KVR-300 (Only for KCV-301)

Dimension



System Diagram

