

TURBO-RAID System Recorder

H.265/H.264 high-throughput and scalable embedded recorder featuring integrated GUI and robust embedded IP security enabling a secure end-to-end PC-less surveillance solution for mission-critical applications.

Support full data encryption streaming recording for all i-PRO cameras which comply to FIPS 140-2 Level 1 standards to keep your video secured from spoofing and snooping activities.

Secure high bandwidth recording

- 64 ch. expandable to 128 ch. camera input. Support H.265 / H.264 mixed recordings.
- 640 Mbps total through put (including 384 Mbps recording bandwidth)
- Pre-installed device certificates *Secure Communication Kits are necessary.

PC-less non VMS surveillance solution

- No camera license fees with a default number of cameras; no annual license updates required.
- Built-in GUI and Dual HDMI (4K/FHD) outputs
- Automatic camera configuration
- Sub-stream recording for mobile access and low bandwidth system environments

Scalable storage

- (9) integrated drive-bays RAID 1 / 5 / 6
- External storage expansion up to 324 TB

High reliability and redundancy

- Dynamic HDD power management increases HDD life
- Redundant fail-over using 2nd recorder to enable mission-critical recording*
- NVR backup important data to NAS devices.*
- TURBO-RAID for quick RAID recovery without sacrificing recording bandwidth and performance

* KMS registration is necessary for activation.

Industry examples

- Public safety (City / Road / Highway / Port)
- Transportation (Airport / Train / Subway)
- Bank / Retail
- Hospital / Education
- Casino / Stadium
- Factory



HDMI™
HIGH-DEFINITION MULTIMEDIA INTERFACE

ONVIF® | **S**

H.265
H.264 **JPEG**

i-PRO

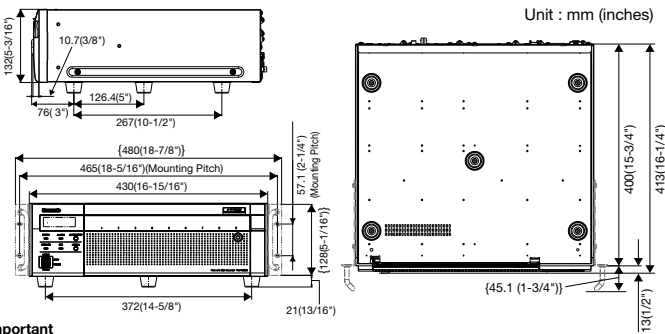
Specifications

Supported Camera	Compatible vendor	Panasonic i-PRO Series Network cameras, ONVIF NVT conformant camera and encoder
	Supported Image Format	H.265(HEVC), H.264, JPEG
	Supported Image Resolution (Depending on the camera)	•Aspect ratio [4 : 3] 4,000x3,000, 2,560x1,920, 2,048x1,536, 1,280x960, 800x600, 640x480 •Aspect ratio [16 : 9] 3,840x2,160, 2,560x1,440, 1,920x1,080, 1,280x720, 640x360 •Aspect ratio [1 : 1] 2,992x2,992, 2,816x2,816, 2,048x2,048, 1,280x1,280 •Aspect ratio [9 : 16] 1080x1920, 720x1280, 360x640
Recording	Supported Audio Format	G.711 for Onvif, G.726 (ADPCM) 32 kbps, AAC-LC
	Maximum Number of Cameras	MAX. 128 ¹ (Default number of cameras : 64)
	Recording Mode	Event, Schedule, Emergency
	Pre-alarm Recording	Up to 15 seconds *When the delivery speed from the network camera is less than 3 Mbps.
Main Unit Functions	Sub-stream Recording	64 / 128 / 256 / 384 / 512 / 768 kbps
	Scheduled Recording Mode	16 programs, 3 time zones/day, independent setup for each day of the week
	Frame Rate/Camera	Up to 60 ips (Depending on the camera)
	Camera Control	Pan/Tilt, Zoom, Focus, Brightness, Preset position call and program (up to 256), Auto mode, Click centering, Wheel zoom, Zoom reset, Auto Back Focus, Aux, Wiper (for WJ-SUD638)
	Multiscreen Mode	[Main monitor] <ul style="list-style-type: none"> Control screen 4 / 9 / 16 split screen display Wide view screen 2 / 3 / 4 / 5 / 6 / 7 / 9 / 12 / 16 / 24 / 32 split screen display, 1 screen sequence, 4 / 9 / 16 split screen sequence [Sub monitor] <ul style="list-style-type: none"> 1 / 4 / 9 / 16 / 32 split screen display, 1 screen sequence, 4 / 9 / 16 split screen sequence
	Playback Control	PLAY, Rev PLAY, Pause, Stop, FF, FR, Prev Record, Next Record, Prev Image, Next Image, Go to Date, Go to Last (30 s), Time-saving playback
	Search Mode	Search criteria : Time date, Playback by designating a timeline, VMD, Thumbnail Copy
	Camera Title	Up to 16 Characters
	Clock Display	Time : 12H/24H, Date : 5 formats
	Digital Zoom	Live / Play : 1.25x 1.5x 1.75x 2x 2.5x 3x 3.5x 4x 5x 6x 7x 8x (only for 1-screen or 4-screen)
System Log	Operator access (500), Network error (100), Error (1,000), Event (1000), Operation (500)	
System Setup	Setup page in English, French, Italian, Spanish, German, Russian, Portuguese, Thai, Simplified Chinese, Japanese	
360 Camera Dewarp re-encoding	Only 1ch display mode.	
SD Memory Data Download	2Client *Only when 64 ch mode Images recorded in the SD card in the i-PRO series cameras can be transferred to the recorder automatically. (H.265/H.264)	
Browser GUI	Camera Control	Pan/Tilt, Zoom, Focus, Brightness, Preset position call and program (up to 256), Auto mode, Click centering, Wheel zoom, Zoom reset, Aux, Wiper (for WJ-SUD638)
	Playback Control	REC, PLAY, Rev PLAY, Pause, Stop, FF, FR, Prev Record, Next Record, Prev Image, Next Image, Go to Date, Go to Last (30 s)
	Search Mode	Search criteria : Time date, Event type, VMD, Camera number
	Display Mode	1 / 4 screen
	Image Download	File Format : Original Format / MP4 Recorded data of selected camera and time range can be downloaded to a PC. Viewer software can be downloaded separately.
	Copy	File Format : Original Format / MP4 Recorded data of selected cameras and time date range can be copied to USB storage.
	Camera Title	Up to 16 characters
	Clock Display	On the browser. Time : 12H/24H, Date : 5 formats
	Alarm Control	Reset
	Digital Zoom	Live/Play : 2x, 4x (only for 1-screen)
System Log	Operator access (500), Network error (100), Error (1,000), Event (1000), Operation (500)	
GUI Language	Setup page in English, French, Italian, Spanish, German, Russian, Portuguese, Thai, Simplified Chinese, Japanese	
Required PC	CPU : Intel® Core™ i7-860 or faster, RAM : 4 GB or more, VRAM : 128 MB or more (Min. 64 MB), Microsoft® DirectX® 9.0c or later	

*1 Two Additional Camera Kits WJ-NXE40, WJ-NXE40W are necessary. *2 Non-voltage make contact input
 *3 Open collector output, 24 V DC, -200 mA max. *4 +5V ±0.5 V 200 mA max.
 *5 Please check the following URL for the latest information. (https://security.panasonic.com/training_support/documentation_database/)
 *6 Panasonic Security Viewer v.3.0 or later is required on smartphone/tablet PC.

Alarm/Event	Alarm Source	32x Terminal inputs, 128x Camera alarms (Panasonic Alarm Protocol), 128x Command alarms	
	Event Mode	Off / On	
	Alarm Action	Alarm recording, e-mail notification, Alarm message, Camera positioning, Terminal output, Panasonic alarm protocol output, Buzzer, Indicator	
	Alarm Control	Reset	
	Event log	1000	
	Spot Output Connector	1 x 1 V [p-p] / 75 Ω (BNC) NTSC / PAL (selectable in setup menu)	
Input / Output	Monitor (HDMI) Connector	[Main monitor] HDMI 4K UHD(3840x2160p)/30Hz, 4K UHD(3840x2160p)/25Hz, 1920x1080p /60Hz, 1920x1080p /50Hz, 1920x1080i /60Hz, 1920x1080i /50Hz [Sub monitor] HDMI 1920x1080p /60Hz, 1920x1080p /50Hz, 1920x1080i /60Hz, 1920x1080i /50Hz	
	Audio Output Connector	-10 dBv, 600 Ω, 600 Ω, unbalanced x1 (RCA pin jack)	
	Alarm / Control Terminal	Alarm input 1 - 32 ² , Alarm output 1 - 4 ³ , Alarm reset input ² Time adjustment input ² , 2x +5 V output ⁴ , Emergency recording input, External recording mode switching input	
	Error/Warning	Network error output ³ , HDD error output ³ , Camera error output ³ , Recorder error output ³ , Recording error output ³ , Outage detection input, Outage processing end output	
	Mouse Connection Port	2 (Front 1, Rear 1)	
	Network Port	2x 10BASE-T / 100BASE-TX / 1000BASE-T (RJ45)	
	USB Storage	USB 3.0 / USB 2.0 memory, USB 3.0 / USB 2.0 connected HDD (except bus powered device)	
	External Storage	5x WJ-HXE400	
	Network	Network Interface	2x 10BASE-T / 100BASE-TX / 1000BASE-T (RJ45)
		Maintenance Network Port	1x 10BASE-T / 100BASE-TX (RJ45)
Maximum Recording Rate		384 Mbps or less	
Maximum Band Width		Total 640 Mbps or less	
Supported Protocol		IPv4 : TCP/IP, UDP/IP, HTTP, HTTPS, FTP, SMTP, DNS, NTP, SNMP, RTP, RTSP, ICMP, ARP IPv6 : ICMPv6	
E-mail		Upon Alarm or Warning	
No. of Simultaneous Users		16 or less	
User Registration		Up to 32 users	
User Level		3 Levels (Programmable)	
Partitioning		User level - Camera (View & Control, No Access)	
Security Method	User authentication (ID and Password), Host authentication, Alteration detection, SSL/TLS		
Other Functions	Time Synchronization	Terminal (Slave), NTP (Server/Client)	
	Summer Time	User definable (using menu setup)	
	Remote Monitoring on Smartphone/Tablet	16 clients or less ⁶	
HDD	Type	WJ-NX400 : 8.89 cm (3.5 inch) Serial ATA HDD, Up to 9x HDDs can be installed. (with HDD canister as standard accessory)	
	Maximum Capacity	54 HDD slots (with 5x WJ-HXE400 Extension Units, 9x HDDs installed in each unit) Up to 6 TB will be supported.*5	
Viewer Software	RAID (Hardware RAID)	Single, RAID1, 5, 6	
	Playback Control	Play, Rev Play, Pause, FF, FR, Prev Record, Next Record, Prev Image, Next Image	
General Specifications	Additional Functions	NX Viewer Alteration detection, Save as JPEG, Two times zoom, Print, Copy, Aspect ratio switching, fish eye correction, corridor display	
	Supported OS, Language	Language of the software will be English or Japanese	
General Specifications	Safety / EMC Standard	WJ-NX400K : UL (UL60065), FCC (Part15 ClassA), C-UL (CAN/CSA C22.2 No.60065),DOC (ICES003 ClassA) WJ-NX400K/G : CE (EN60065, EN55032 ClassB, EN55024), EAC	
	Power Source	WJ-NX400K : 120 V AC 60 Hz / WJ-NX400K/G : 220 V - 240 V AC 50 Hz/60 Hz	
	Power Consumption	approx. 125 W (with 6 TB HDD x9)	
	Ambient Operating Temperature	Main body : +5 °C to +45 °C (41 °F to 113 °F) Mouse (provided) : +5 °C to +40 °C (41 °F to 104 °F)	
	Ambient Operating Humidity	5 % to 90 % (without condensation)	
	Maximum Operating Altitude	2,000 m (6,562 feet) above sea level	
	Dimensions	430 mm (W) x 132 mm (H) x 413 mm (D)(From Rack Mount Bracket 400 mm) {16-15/16 inches (W) x 5-3/16 inches (H) x 16-1/4 inches (D)} (From Rack Mount Bracket 15-3/4") (excluding rubber feet and projections)	
	Mass (approx.)	When no HDD is installed : 11.5 kg (25.4 lbs) / When 9 HDDs are installed : 20 kg (44.1 lbs)	

Appearance



Important

- Safety Precautions : Carefully read the Basic Information, Installation Guide and Operating Instructions before using this product.
- Panasonic i-PRO Sensing Solutions Co., Ltd. cannot be held responsible for the performance of the network and/or other manufacturers' products used on the network.

Optional Accessories

Hard Disk Extension Unit WJ-HXE400		WJ-HXE400	WJ-HXE400/G
	Power Source	120 V AC, 60 Hz	220 - 240 V AC, 50Hz / 60Hz
	Power Consumption	85 W (170 VA)	85 W (175 VA)
	Dimensions	430 mm (W) x 132 mm (H) x 413 mm (D) (From Rack Mount Bracket 400 mm) {16-15/16" (W) x 5-3/16" (H) x 16-1/4" (D)} (From Rack Mount Bracket 15-3/4") (excluding rubber feet and projections)	
Weight	11 kg (24.3 lbs) (When no HDD exist) 19.5 kg (43.0 lbs) (When 9 HDDs are installed)		

Additional Camera Kits

Number of cameras used in the system can be increased to 96 and 128 (maximum) by purchasing the Additional Camera Kits (WJ-NXE40, WJ-NXE40W : license for 32 cameras).

Secure Communication Kits

The Secure Communication Kits are license kits to use the security function of the network disk recorder (WJ-NX400K). Each Secure Communication Kit allows the following number of cameras to be registered.

WJ-NXS01W	WJ-NXS04W	WJ-NXS16W	WJ-NXS32W
1 camera	4 cameras	16 cameras	32 cameras

Trademarks and registered trademarks

- All other trademarks identified herein are the property of their respective owners.

- Masses and dimensions are approximate. • Specifications are subject to change without notice.



Panasonic Corporation

Panasonic i-PRO Sensing Solutions Co., Ltd.

<https://ipro.panasonic.com>

<https://security.panasonic.com>

<https://www.linkedin.com/company/i-pro-sensing-solutions-co-ltd/>

(2A-183FA)