

Spectra® Enhanced 7 Series IP PTZ Domes

HIGH-SPEED PTZ, UP TO 30X, UP TO 4K, SUREVISION AND DEEP LEARNING CAPABLE

Product Features

- SureVision Technology, Including:
 - Up to 130 dB Wide Dynamic Range (WDR)
 - Advanced Low Light Down to 0.02 lux (Color), 0.013 lux (Mono)
 - Anti-Bloom Technology
 - 3D Noise Filtering
 - Enhanced Tone Mapping
- Up to 4K and up to 60 Images per Second (ips) Pan/Tilt Drive
- Robust Image Stabilization (EIS) with Gyro
- Built-in Pelco Enhanced Analytics Suite
- Pelco Advanced Analytics Capable
- Power over Ethernet (802.3bt), 24 VAC, 48 VDC
- H.264 and H.265 Pelco Smart Compression Technology
- Three Automatic Defog Options
- Vandal Resistant IK10 Housing and Smoked or Clear Bubble
- SD Card Slot with Support for SDXC Cards
- Compatible with Pelco and Third-Party Video Systems



- ONVIF Profile S, Profile G, and Profile T Conformant
- 3-Year Warranty and Support

Top of the Line IP Performance

Pelco’s Spectra® Series of high speed IP PTZ domes provide top tier image quality, performance, and intelligent embedded features for state-of-the-art surveillance solutions. Low latency video and control make the camera incredibly easy to control. Direct Drive closed loop control enables blazing pan and tilt speeds up to 700 degree/second to position the camera on target avoiding perceived PT delays so that critical forensic evidence is captured. Direct Drive closed loop systems have advantages such as limited wear and tear and maintenance, extremely accurate positioning, and the camera always knows its position.

Power redundancy between PoE and 48 VDC/24 VAC ensures 24-hour, 365-day continuous operation even under unstable power supply situations.

Full High Definition SureVision Cameras

Spectra Enhanced Series IP PTZ domes feature up to 4K, up to 30x optical zoom. They run at up to 60 frames per second and provide up to 130dB of Wide Dynamic Range (WDR) with Pelco’s latest SureVision low light performance.

Intelligent Imaging Features

The Spectra Enhanced Series PTZ domes have the capability to run deep learning DNN analytics. Included in all models are a Pelco Enhanced Suite of analytics including: Abandoned Object, Adaptive Motion Detection, AutoTracker, Camera Sabotage, Directional Motion, Loitering Detection, Object Counting, Object Removal, and Stopped Vehicle. Spectra Enhanced also allows for up to 16 window blanking privacy zones that are configurable with custom blurring options. Three levels of

Image Defog provide options for enhancing the image on foggy or rainy days. Five White Balance modes are available for overcoming difficult lighting conditions day and night. A Vivid Imaging mode can be enabled to automatically increases color saturation and sharpening. Spectra Enhanced supports up to 2TB of onboard local storage (not supplied) that is easily accessible through the ONVIF Profile G protocol or FTP.

Intuitive Design

Spectra Enhanced Series features the same ease of installation and maintenance that the industry has come to expect from Spectra. Each dome system consists of a back-box, a dome drive, and an IK10 rated lower dome. There is a choice of three form factors: in-ceiling, environmental in-ceiling, and environmental pendant.

VMS Integration

Spectra Enhanced Series easily connects to Pelco IP and hybrid video systems such as VideoXpert, Endura 2.0 (or later), and Digital Sentry 7.3 (or later). The camera is also compatible with Digital Sentry NVS (DS NVS), a full-featured video management software, which is available as a free download at www.pelco.com. DS NVS includes four free Pelco IP licenses and allows for the management of video from up to 64 cameras.

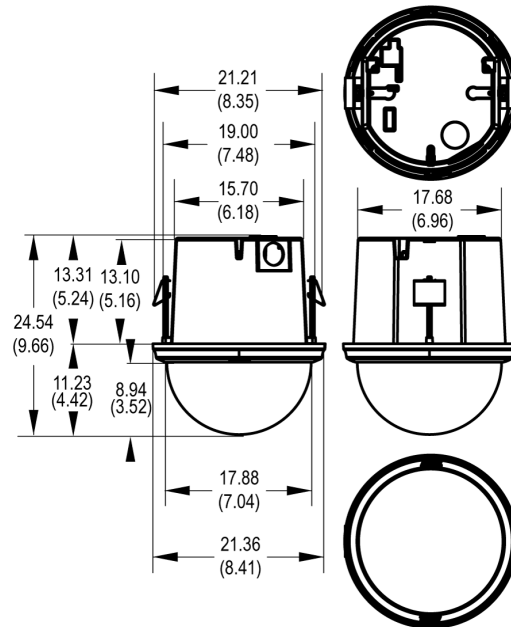
Pelco endeavors to be the most open and integrated camera provider in the industry and as a part of that effort Spectra Enhanced is integrated with a long and ever-growing list of 3rd party software and Video Management Systems (VMS).



BACK BOX FEATURES

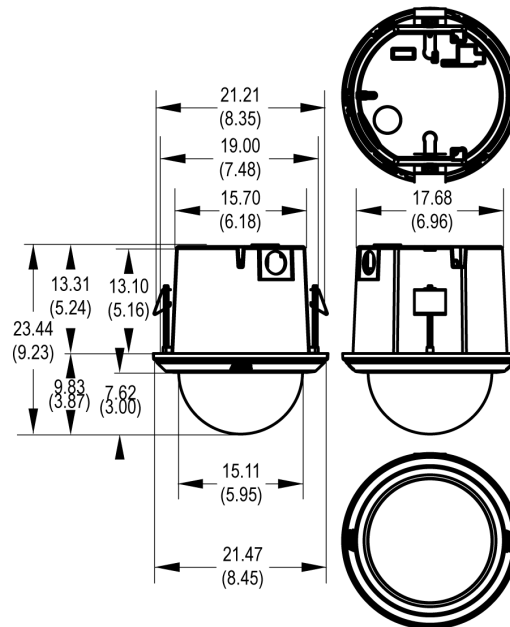


NOTE: VALUES IN PARENTHESES ARE INCHES; ALL OTHERS ARE CENTIMETERS.



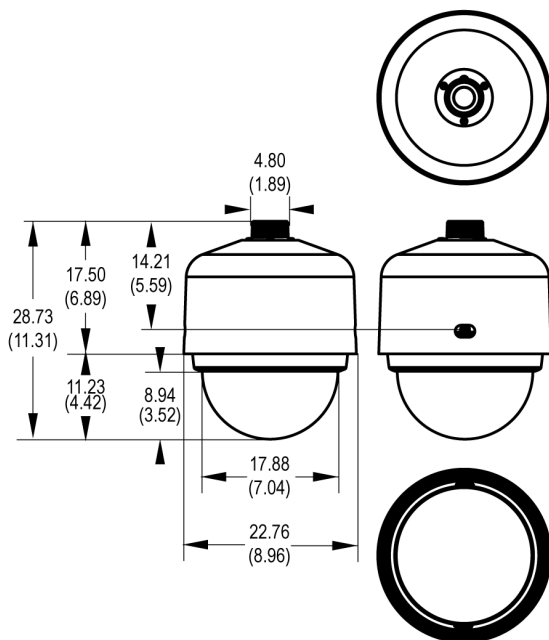
In-Ceiling (Indoor 4K)

- Single Back Box for Suspended or Hard Ceiling Applications with White Trim Ring, RAL9003
- Requires 13.35 cm (5.25 in.) Space Above Ceiling and 8.25 cm (3.25 in.) Below
- Minimum Ceiling Thickness 1.27 cm (0.50 in.); Maximum 4.45 cm (1.75 in.)
- Aluminum Construction, IK10 Rated Housing and Polycarbonate Bubble
- Suitable for Use in Environmental Air Handling Spaces
- -10° to 55°C (14° to 131°F) Sustained Operating Temperature



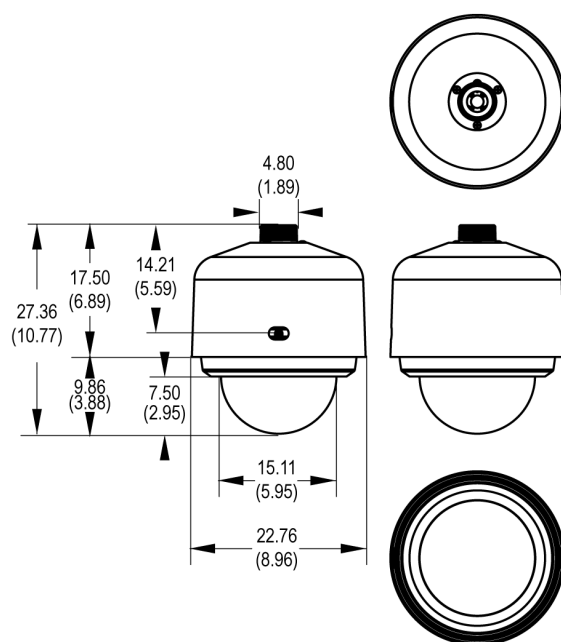
In-Ceiling (Indoor 2MP)

- Single Back Box for Suspended or Hard Ceiling Applications with White Trim Ring, RAL9003
- Requires 13.35 cm (5.25 in.) Space Above Ceiling and 8.25 cm (3.25 in.) Below
- Minimum Ceiling Thickness 1.27 cm (0.50 in.); Maximum 4.45 cm (1.75 in.)
- Aluminum Construction, IK10 Rated Housing and Nylon Bubble
- Suitable for Use in Environmental Air Handling Spaces
- -10° to 55°C (14° to 131°F) Sustained Operating Temperature



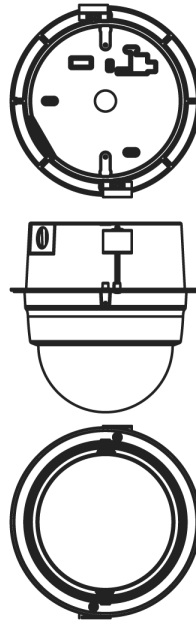
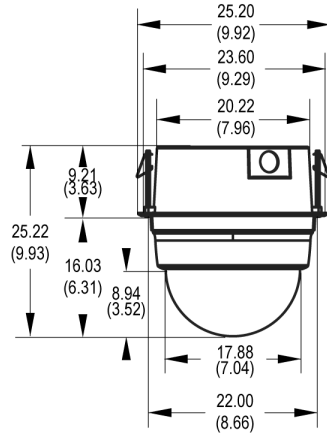
Environmental Pendant (4K)

- Environmental Pendant Available in White Finish (RAL9003) or Black Finish (RAL9017)
- Aluminum Construction, IK10 Rated Housing and Polycarbonate Bubble
- Meets IP66 and IP67
- Meets Type 4X
- Uses 1 1/2-inch NPT Thread
- Includes Heater, Blower, and Sun Shield
- -50° to 60°C (-58° to 140°F) Sustained Operating Temperature



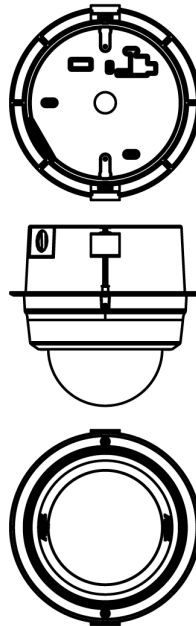
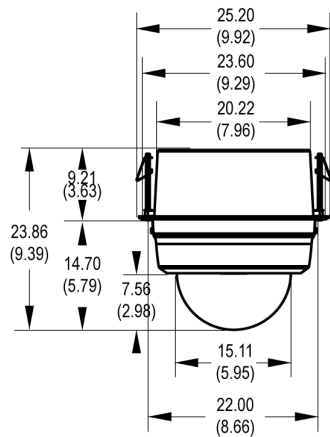
Environmental Pendant (2MP)

- Environmental Pendant Available in White Finish (RAL9003) or Black Finish (RAL9017)
- Aluminum Construction, IK10 Rated Housing and Nylon Bubble
- Meets IP66 and IP67
- Meets Type 4X
- Uses 1 1/2-inch NPT Thread
- Includes Heater, Blower, and Sun Shield
- -50° to 60°C (-58° to 140°F) Sustained Operating Temperature



In-Ceiling (Environmental 4K)

- Single Back Box for Suspended or Hard Ceiling Applications with Black Trim Ring, RAL9017
- Requires 13.35 cm (5.25 in.) Space Above Ceiling and 8.25 cm (3.25 in.) Below
- Minimum Ceiling Thickness 1.27 cm (0.50 in.); Maximum 4.45 cm (1.75 in.)
- Aluminum Construction, IK10 Rated Housing and Polycarbonate Bubble
- Meets IP66 and IP67
- Meets Type 4X
- Includes Heater and Blower
- -50° to 60°C (-58° to 140°F) Sustained Operating Temperature



In-Ceiling (Environmental 2 MP)

- Single Back Box for Suspended or Hard Ceiling Applications with Black Trim Ring, RAL9017
- Requires 13.35 cm (5.25 in.) Space Above Ceiling and 8.25 cm (3.25 in.) Below
- Minimum Ceiling Thickness 1.27 cm (0.50 in.); Maximum 4.45 cm (1.75 in.)
- Aluminum Construction, IK10 Rated Housing and Nylon Bubble
- Meets IP66 and IP67
- Meets Type 4X
- Includes Heater and Blower
- -50° to 60°C (-58° to 140°F) Sustained Operating Temperature

CAMERA/OPTICS

| Specification | 30X Low Light | 18X Low Light | |
|--------------------------------------|---|--|------------|
| Sensor Type | Progressive, 1/2.8-inch Type Exmor CMOS Sensor | Progressive, 1/1.8-inch CMOS Sensor | |
| Optical Zoom | 30X | 18X | |
| Digital Zoom | 10X | 10X | |
| Maximum Resolution | 1920 x 1080 | 3840 x 2160 | |
| Lens | f/1.6 ~ f/4.7, focal length 4.3 mm (wide) ~ 129.0 mm (tele) | f/1.5 ~ f/3.4, focal length 6.36 mm (wide) ~ 138.5 mm (tele) | |
| Horizontal Angle of View | 59.8° wide - 2.3° tele | 57.9 wide - 3.0 tele | |
| Aspect Ratio | 16:9 | 16:9 | |
| Light Sensitivity | Color (33 ms) | 0.02 lux (Color) | 0.10 lux |
| | Color (250 ms) | 0.0025 lux (Color) | 0.0125 lux |
| | Mono (33 ms) | 0.013 lux (Mono) | 0.066 lux |
| | Mono (250 ms) | 0.0016 lux (Mono) | 0.0085 lux |
| | Note: Sensitivity in lux for 90% reflectance, f/1.6 (wide angle), 50 dB gain at 30 IRE (30% of signal level) with Sensitivity Boost OFF; 4X improvement to sensitivity with Sensitivity Boost ON | | |
| Day/Night Capabilities | Yes | Yes | |
| Shutter Range | 1/1 ~ 1/10,000 sec | 1/10,000 ~ 1 sec | |
| Signal-to-Noise Ratio | >50dB | >50dB | |
| IR Cut Filter | Yes | Yes | |
| Wide Dynamic Range | Up to 130 dB maximum; 120 dB per IEC 62676-5 | Up to 130 dB maximum; 120 dB per IEC 62676-5 | |
| Iris Control | Auto iris with manual override | Auto iris with manual override | |
| Backlight Compensation | Yes | Yes | |
| Automatic Gain Control | Yes | Yes | |
| Active Noise Filtering | 3D Noise Filtering | 3D Noise Filtering | |
| Electronic Image Stabilization (EIS) | Yes | Yes | |
| Bit Rate Control | Constrained variable bit rate (CVBR) and constant bit rate (CBR) | | |
| Video Snapshot | JPEG capture at the same resolution as the highest stream configured | | |
| Window Blanking | 16 configurable Windows | | |
| Video Overlay | Camera name, time, date, and customizable text with multiple supported languages. Embedding of custom images and logos supported. | | |
| Flicker Correction | Selectable Auto On/Off, 50 Hz or 60 Hz modes | | |

TECHNICAL SPECIFICATIONS

SOFTWARE FEATURES

- 256 presets
- 32 tours
- $\pm 0.05^\circ$ preset accuracy
- 8 configurable scans
- Patterns—8 recordable patterns (up to 5 minutes each)
- Multilingual menus (English, Spanish, Portuguese, Italian, German, French, Russian, Turkish, Simplified Chinese, and Korean)
- Password protection
- 16 window blanks, configurable in size
- "Auto Flip" feature rotates dome 180° at bottom of tilt travel
- Configurable park with actions
- Proportional pan/tilt continually decreases pan/tilt speeds in proportion to depth of zoom
- Pelco analytics including nine user-configurable behaviors
- Multiple DNN analytic behaviors
- Image Defog modes

PELCO ENHANCED ANALYTICS SUITE

Spectra Enhanced range cameras includes two Basic and eight Enhanced user-configurable behaviors to enhance the flexibility and performance of the camera. The camera is capable of running up to two Enhanced behaviors in addition to the two Basic behaviors at the same time.

For each behavior, you can set up different scenarios for the behavior, which will automatically detect and trigger alarms when specific activity is detected.

Analytics are configured and enabled using a standard Web browser, and behavior alarms are compatible with VideoXpert or a third-party system that supports Pelco's API.

Available Basic analytic behaviors include:

- **Camera Sabotage:** Detects contrast changes in the field of view. An alarm is triggered if the lens is obstructed by spray paint, a cloth, or a lens cap. Any unauthorized repositioning of the camera also triggers an alarm.
- **Region-Based Simple Motion Detection:** Based on sensitivity, the camera determines if sufficient motion is detected within a configurable region.

Available Enhanced analytic behaviors include:

- **Abandoned Object:** Detects objects placed within a defined zone and triggers an alarm if the object remains in the zone unattended. An airport terminal is a typical installation for this behavior. This behavior can also detect objects left behind at an ATM, signaling possible card skimming.
- **Adaptive Motion:** Detects and tracks objects that enter a scene and then triggers an alarm when the objects enter a user-defined zone. This behavior is primarily used in outdoor environments with light traffic to reduce the number of false alarms caused by environmental changes.
- **AutoTracker:** Detects and tracks movement in the field of view. When the AutoTracker behavior is configured, the system automatically pans and tilts to follow the moving object until the object stops or disappears from the monitored area.
- **Directional Motion:** Generates an alarm in a high traffic area when a person or object moves in a specified direction. Typical installations for this behavior include an airport gate or tunnel where cameras can detect objects moving in the opposite direction of the normal flow of traffic or an individual entering through an exit door.
- **Loitering Detection:** Identifies when people or vehicles remain in a defined zone too long. This behavior is effective in real-time notification of suspicious behavior around ATMs, stairwells, and school grounds.
- **Object Counting:** Counts the number of objects that enter a defined zone. This behavior can be used to count the number of people at a store entrance/exit or inside a store where the traffic is light. This behavior is based on tracking and does not count people in a crowded setting.
- **Object Removal:** Triggers an alarm if an object is removed from a user-defined zone. This behavior is ideal for customers who want to detect the removal of high value objects, such as painting from a wall or a statue from a pedestal.
- **Stopped Vehicle:** Detects vehicles stopped near a sensitive area longer than the user-defined time allows. This behavior is ideal for airport curbside drop-offs, parking enforcement, suspicious parking, traffic lane breakdowns, and vehicles waiting at gates.

TECHNICAL SPECIFICATIONS

VIDEO

| | |
|--------------------|--|
| Video Encoding | H.264 High, Main, or Base profiles, H.265 Main profile, and MJPEG |
| Video Streams | Up to 3 simultaneous streams; the second stream is variable based on the setup of the primary stream |
| Frame Rate | Up to 60, 50, 30, 25, 20, 15, 12.5, 10, 8.333, 7.5, 6, 5, 3, 2.5, 2, 1 (depending on the coding, resolution, and stream configuration) |
| Highest Resolution | |
| 4K models | 3840 x 2160 |
| 2MP models | 1920 x 1080 |

NETWORK

| | |
|--------------------------|--|
| Supported Protocols | TCP/IP, UDP/IP (Unicast, Multicast IGMP), UPnP, DNS, DHCP, RTP, RTSP, NTP, IPv4, IPv6*, SNMP v2c/v3, QoS, HTTP, HTTPS, SSH, TLS, SMTP, FTP, 802.1x (EAP), and NTCIP 1205 |
| Users | |
| Unicast | Up to 20 simultaneous users depending on resolution settings (2 guaranteed streams) |
| Multicast | Unlimited users |
| Security Access | Password protected |
| Software Interface | Web browser view and setup |
| Pelco System Integration | Endura 2.0 (or later) Digital Sentry 7.3 (or later) |
| Open API | Pelco API or ONVIF Profile S, G, and T |
| Mobile Application | Integrated to Pelco Mobile App |

MINIMUM SYSTEM REQUIREMENTS

| | |
|------------------------|---|
| Processor | Intel® Core™ i3 Processor, 2.4 GHz |
| Operating System | Windows® 10 Windows 7 (32-bit and 64-bit) or Mac® OS X 10.4 (or later) |
| Memory | 4 GB RAM |
| Network Interface Card | 100 megabits (or greater) |
| Web Browser | Internet Explorer® 8.0 (or later) or Firefox 71 (or later); Chrome 81 (or later); Internet Explorer 8.0 (or later) is recommended for configuring analytics |

ANALYTICS

| | |
|--------------------------------------|---|
| Required Systems for Pelco Analytics | |
| Pelco Interface | VideoXpert; VX Toolbox; Endura 2.0 (or later); Digital Sentry 7.3 (or later) |
| Open API | The Pelco API can transmit behavior alarm data to third-party applications, available at pdn.pelco.com |

GENERAL

| | |
|-------------------|--|
| Construction | |
| Back Box | Aluminum |
| Dome Drive | Aluminum, thermoplastic |
| Lower Dome | Nylon for 2 MP models, polycarbonate for 4K models |
| Light Attenuation | |
| Smoked | f/0.5 light loss |
| Clear | f/0.0 light loss |

| | |
|--------------------------------|--|
| Cable Entry (back box) | |
| In-Ceiling | 0.75-inch conduit fitting |
| Pendant | Through 1.5-inch NPT pendant mount |
| Unit Weight | (1080p models) (4K models) |
| In-Ceiling, Indoor | 3.0 kg (6.6 lb) 3.2 kg (7.05 lb) |
| In-Ceiling, Environmental | 3.4 kg (7.5 lb) 3.6 kg (7.94 lb) |
| Pendant, Environmental | 3.9 kg (8.6 lb) 4.1 kg (9.04 lb) |
| Effective Projected Area (EPA) | |
| Pendant | Without mount and with sun shield, 47 square inches With IWM Series mount with sun shield, 96.5 square inches |

ALARM

| | |
|-------------------|--|
| Unsupervised | Detects open or closed alarm state |
| Supervised | Detects open and short alarm state with external 1-kohm resistor |
| Inputs (4) | 3.5 VDC maximum, 3.5 mA maximum |
| Relay Outputs (2) | ±32 VDC maximum, 150 mA maximum |

AUDIO

| | |
|-----------|---|
| Audio | Bidirectional, full duplex |
| Input | Line level; 3-kohm differential impedance, 1Vp-p maximum signal level |
| Output | Line level; 600-ohm differential impedance, 1Vp-p |
| Streaming | Embedded audio |

STORAGE

| | |
|---------------|---|
| Local Storage | SD card slot with support for SDXC cards Capture 1–5–10 second video clips on camera sabotage, motion detection, or alarm input; record video continuously in the case of network outage with option to overwrite; access video through FTP protocol and ONVIF Profile G |
|---------------|---|

* Supports mixed IPv4 and IPv6 installations, but not IPv6-only deployments.

† Pelco Media Player is recommended for control, smoothness, and reduced latency as compared to QuickTime.

TECHNICAL SPECIFICATIONS

OPERATING TEMPERATURE

| | |
|------------------------------------|----------------------------------|
| In-Ceiling (Indoor): | |
| Operating Temperature | -10°C to 55°C (14°F to 131°F) |
| Cold Start | -10° C |
| Environmental Units: | |
| Sustained Operating Temperature | -51°C to 60°C (-59.8°F to 140°F) |
| Absolute Max Operating Temperature | 65°C (4 hours per day) |
| Cold Start | -40°C (-40°F) |
| Ice Free | -20°C (-4°F) |
| De-Ice | -20°C (-4°F) |
| Storage Temperature | -20°C to 65°C (-4°F to 149°F) |
| Storage Humidity | 5 to 95% (non-condensing) |

OPERATING HUMIDITY

| | |
|--|------------------------------|
| In-Ceiling (Indoor) | 10 to 90% RH (noncondensing) |
| Environmental In-Ceiling, Environmental Pendant | 10 to 100% RH |

MECHANICAL

(Dome Drive Only)

| | |
|------------------------|--------------------------------------|
| Variable Speed | 0.05° to 100°/sec (manual pan speed) |
| Preset Accuracy | ±0.05° |
| Pan Movement | 360° continuous pan rotation |
| Vertical Tilt | +1° to -90° |
| Maximum Pan Speed | Up to 700° per second |
| Maximum Tilt Speed | Up to 500° per second |
| Manual Pan/Tilt Speeds | |
| Pan | 0.05° to 100°/sec manual operation |
| Tilt | 0.05° to 50°/sec manual operation |
| Preset Speeds | |
| Pan | 700°/sec |
| Tilt | 500°/sec |

WIND SPECIFICATIONS

| | |
|---------------------|----------------------------------|
| Full Motion Control | 0 to 130 knots (150 mph/241 kmh) |
|---------------------|----------------------------------|

PELCO'S SMART COMPRESSION TECHNOLOGY

Pelco's Smart Compression Technology lowers bandwidth and storage requirements by up to 70%, while reducing storage requirements.

Pelco's Smart Compression Technology dynamically analyzes motion occurring within live video in real-time, to intelligently compress the information you don't need, while retaining details with clear quality in the areas that are important in the scene. By enabling Dynamic GOP, an added feature of Smart Compression, the number of I-frames are automatically reduced in scenes with low motion. Based on the complexity of scenes and motion occurring, such as a store room that has limited entry and exit, up to 70% bandwidth savings can be achieved.

PELCO CAMERA LINK

Pelco Camera Link technology brings together the best of two flagship Pelco products: You get the seamless and continual situational awareness of Optera across a wide space along with the ability to automatically zoom in for great detail with nearby Spectra Enhanced and follow people and vehicles closely.

POWER REDUNDANCY

Spectra Enhanced 7 range cameras are designed with Power over Ethernet (PoE), 24 VAC and 48 VDC to reduce costs and simplify planning, wiring, and installation. PoE functionality works with PoE-enabled network switches or power injectors, eliminating the need for separate power supplies and cabling, and increasing camera fail safety through an interruptible power supply (UPS).

The cameras also support power supply failover between PoE and 48 VDC/24VAC and allow a primary power source selection for the power draw. If the camera is running with both PoE and 48 VDC/24 VAC power sources, and then the primary power source is lost, the camera will switch to an alternative source without any interruption or video loss. Once primary power is restored, the camera seamlessly switches back to the primary source.

TECHNICAL SPECIFICATIONS

ELECTRICAL

| | |
|--------------------|--|
| Ports | RJ-45 connector for 100Base-TX as well as 1000Base-TX Auto MDI/MDI-X Autonegotiate/manual setting |
| Cabling Type | Cat5e or better |
| SFP/FSFP Interface | Supports Pelco FSFP Series transceivers and third-party MSA complaint transceivers |
| Input Voltage | 20 to 32 VAC; 24 VAC nominal 42 to 53 VDC; 48 VDC nominal |
| Input Power | |
| 24 VAC | 2 A (30 VA) maximum for indoor or environmental units without heater 4.8 A (71 VA) maximum for environmental unit with heater |
| 48 VDC | 1 A (40 W) maximum for indoor or environmental units without heater 1.9 A (80 W) maximum for environmental unit with heater |
| PoE (802.3bt) | 0.7 A (32 W) maximum for indoor or environmental units without heater 1.3 A (70 w) maximum for environmental unit with heater |
| PoE (802.3at) | 0.5 A (25 W) maximum for indoor models only and ambient temperatures above -10°C |

CERTIFICATIONS/RATINGS/PATENTS

- CE (Class A)
- FCC (Class A)
- ICES-003 (Class A)
- UL/cUL Listed
- UL/IEC/EN 60950-1, 60950-22, 62368-1
- KC
- NOM
- RCM
- EAC*
- BIS
- Environmental models:
 - Type 4X
 - EN 50155 (EN 61373 Category 1, Class B)
 - IEC/EN 60068-2-1 Cold
 - IEC/EN 60068-2-2 Dry Heat
 - IEC/EN 60068-2-6 Product Vibration
 - IEC/EN 60068-2-14 Change of Temperature
 - IEC/EN 60068-2-27 Product Shock
 - IEC/EN 60068-2-30 Damp Heat (Cyclic)
 - IEC/EN 60068-2-78 Damp Heat (Steady-State)
 - IEC/EN 62262 Impact (IK 10)
 - IEC/EN 60529 (IP66, IP67)
- IEC 62676-5 Data specifications and image quality performance for camera devices
- Meets NEMA TS2 para 2.2.7 - 2.2.9 (Environmental models)
- FDOT (Environmental models)*
- Cisco® Medianet Media Services Proxy 2.0 compatible
- ONVIF Profile S, Profile G, and Profile T Conformant
- U.S. Patents 5,931,432; 6,793,415 B2; 6,802,656 B2; 6,821,222 B2; 7,161,615 B2

*At the time of this publication, certifications are pending. Consult the factory or www.pelco.com for the current status of certifications.

TECHNICAL SPECIFICATIONS

SYSTEM MODEL NUMBERS

| Type | Back Box Color | Trim Ring Color | Bubble | System Resolution | Model Number | Dome Description |
|-------------------------------|----------------|-----------------|--------|-------------------|--------------|--|
| In-ceiling, Indoor 2MP | Black | White | Smoked | 2 MP 30X | S7230L-FW0 | Spectra Enh7 1080p 30X Indoor In-Ceiling White Smoked Bubble |
| | | | Clear | 2 MP 30X | S7230L-FW1 | Spectra Enh7 1080p 30X Indoor In-Ceiling White Clear Bubble |
| In-ceiling, Environmental 2MP | Black | Black | Smoked | 2 MP 30X | S7230L-YB0 | Spectra Enh7 1080p 30X Env In-Ceiling Black Smoked Bubble |
| | | | Clear | 2 MP 30X | S7230L-YB1 | Spectra Enh7 1080p 30X Env In-Ceiling Black Clear Bubble |
| Pendant, Environmental 2MP | White | Black | Smoked | 2 MP 30X | S7230L-EW0 | Spectra Enh7 1080p 30X Env Pendant White Smoked Bubble |
| | | | Clear | 2 MP 30X | S7230L-EW1 | Spectra Enh7 1080p 30X Env Pendant White Clear Bubble |
| Pendant, Environmental 2MP | Black | Black | Smoked | 2 MP 30X | S7230L-EB0 | Spectra Enh7 1080p 30X Env Pendant Black Smoked Bubble |
| | | | Clear | 2 MP 30X | S7230L-EB1 | Spectra Enh7 1080p 30X Env Pendant Black Clear Bubble |
| In-ceiling, Indoor 4K | Black | White | Smoked | 4 K 18X | S7818L-FW0 | Spectra Enh7 4K 18X Indoor In-Ceiling White Smoked Bubble |
| | | | Clear | 4 K 18X | S7818L-FW1 | Spectra Enh7 4K 18X Indoor In-Ceiling White Clear Bubble |
| In-ceiling, Environmental 4K | Black | Black | Smoked | 4 K 18X | S7818L-YB0 | Spectra Enh7 4K 18X Env In-Ceiling Black Smoked Bubble |
| | | | Clear | 4 K 18X | S7818L-YB1 | Spectra Enh7 4K 18X Env In-Ceiling Black Clear Bubble |
| Pendant, Environmental 4K | White | Black | Smoked | 4 K 18X | S7818L-EW0 | Spectra Enh7 4K 18X Env Pendant White Smoked Bubble |
| | | | Clear | 4 K 18X | S7818L-EW1 | Spectra Enh7 4K 18X Env Pendant White Clear Bubble |
| Pendant, Environmental 4K | Black | Black | Smoked | 4 K 18X | S7818L-EB0 | Spectra Enh7 4K 18X Env Pendant Black Smoked Bubble |
| | | | Clear | 4 K 18X | S7818L-EB1 | Spectra Enh7 4K 18X Env Pendant Black Clear Bubble |

COMPONENT MODEL NUMBERS

| 2MP and 4K Back Box | |
|---------------------|------------------------------|
| B7-F | In-ceiling Indoor |
| B7-F-E | In-ceiling, Environmental |
| B7-PW-E | Pendant Environmental, White |
| B7-PB-E | Pendant Environmental, Black |

*Use the environmental lower domes with the environmental in-ceiling and environmental pendant back boxes.

| High Definition (HD) Lower Dome* | |
|----------------------------------|-------------------------------------|
| LD7F-0 | Indoor, White, Smoked, 1080p |
| LD7F-1 | Indoor, White, Clear, 1080p |
| LD7PB-0 | Environmental, Black, Smoked, 1080p |
| LD7PB-1 | Environmental, Black, Clear, 1080p |
| LD7AF-0 | Indoor, White, Smoked, 4K |
| LD7AF-1 | Indoor, White, Clear, 4K |
| LD7APB-0 | Environmental, Black, Smoked, 4K |
| LD7APB-1 | Environmental, Black, Clear, 4K |

| Dome Drive | |
|------------|-----------|
| D7230L | 1080p 30X |
| D7818L | 4K 18X |

RECOMMENDED MOUNTS

Pendant Domes

| | |
|--------------|---|
| IWM Series | Wall mount, white or black finish; can be adapted for corner, parapet, or pole application |
| IWM-MKIT | Marine kit is designed to protect the Spectra Series dome system mounted to the IWM arm from galvanic corrosion. |
| IWM24 Series | Wall mount, with integral 24 VAC, 100 VA transformer; white or black finish; can be adapted for corner, parapet or pole application |
| PP350/PP351 | Parapet wall/roof mount |
| SWM Series | Compact wall mount, white or black finish; can be adapted for corner or pole applications |
| IDM4012SS-SW | Mount arm feed-thru, stainless steel, RAL 9003 |
| IDM4018-SW | Mount arm feed-thru, white, RAL 9003 |

OPTIONAL ACCESSORIES

| | |
|---------------------------|---|
| POE90U1BT-EUK | 90W HPoE 802.3BT single port injector EU and UK power cord included |
| POE90U1BT-US | 90W HPoE 802.3BT single port injector US power cord included |
| POE90U1BT | 90W HPoE 802.3BT single port injector power cord not included |
| WCS1-4 Model (WCS Series) | Outdoor single 24 VAC power supply power cord not included |
| ECPS-48VDC-5A | 48 VDC indoor power supply |

In-Ceiling Domes

| | |
|-------|---|
| SD5-P | 2' x 2' ceiling panel, aluminum construction; replaces 2' x 2' ceiling tile |
| SCA1 | Support rails for B7-F; for use in ceiling tile applications |

⚠ **WARNING:** Cancer and Reproductive Harm - www.P65Warnings.ca.gov.
 ⚠ **ADVERTENCIA:** Cáncer y Daño Reproductivo - www.P65Warnings.ca.gov.
 ⚠ **AVERTISSEMENT:** Cancer et Troubles de l'appareil reproducteur - www.P65Warnings.ca.gov.

Pelco, Inc.

625 W. Alluvial, Fresno, California 93711 United States
USA & Canada Tel (800) 289-9100 Fax (800) 289-9150
International Tel +1 (559) 292-1981 Fax +1 (559) 348-1120
www.pelco.com

Pelco and the Pelco logo are registered trademarks of Pelco, Inc. All product names and services identified throughout this document are trademarks or registered trademarks of their respective companies. The absence of a trademark or registered trademark from this document does not constitute a waiver of intellectual property rights. Product specifications and availability subject to change without notice.
 ©Copyright 2020, Pelco, Inc. All rights reserved.